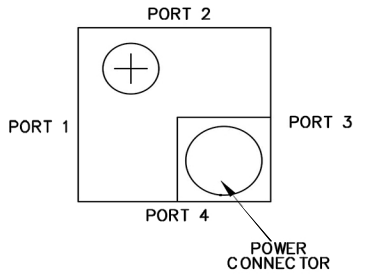
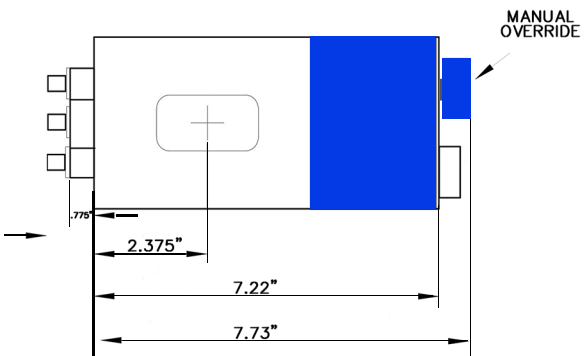
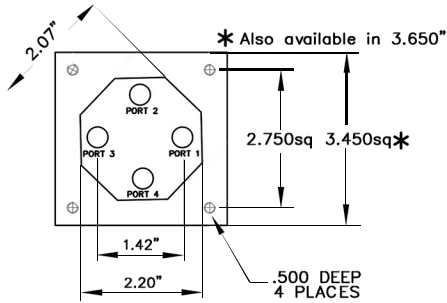


REVISIONS				APPROVALS		
SYM	DESCRIPTION	DATE	ENGRG	PROD	O. A.	



1.0 ELECTRICAL

1.1 OPERATING FREQUENCY (WAVEGUIDE): 3.5 - 4.2 GHz
 RETURN LOSS: -32DB MIN
 ISOLATION: 70DB MIN
 INSERTION LOSS: .05DB MAX

COAXIAL

Frequency (GHz)	0-2	1-3	3.5-4.2	5.85-8.2	10.7-14.5	17.0-18.4
VSWR	1.10	1.15	1.25	1.30	1.35	1.50
Insertion Loss (dB)	0.05	0.10	0.25	0.30	0.35	0.5
Isolation (dB)	80	70	60	60	50	50

- 1.3 ISOLATION WAVEGUIDE TO COAX: 120DB
- 1.4 DRIVING VOLTAGE: OPTIONAL
- 1.5 C-FORM CONTACTS: 4 IN STD UNIT
- 1.6 INHIBIT CONTACTS: OPTIONAL
- 1.7 SWITCHING TIME: 120 MSEC MAX
- 1.8 POWER CONNECTOR: KPT02614-19P

2.0 MECHANICAL

- 2.1 WAVEGUIDE SIZE: WR229
- 2.2 FLANGE: CPR
- 2.3 COAXIAL CONNECTORS: TYPE-N OR SMA
- 2.4 PRESSURE: 20 PSI (INCLUDING DRIVER)
- 2.5 MATERIAL: 80% ALUMINUM
- 2.6 FINISH: LUSTERON ON WAVEGUIDE, ANODIZE ON DRIVER
- 2.7 WEIGHT: .920 KG

3.0 ENVIRONMENTAL

- 3.1 OPERATING TEMP: -40° TO +75° C
- 3.2 NON OPERATING TEMP: -50° TO +100° C
- 3.3 HUMIDITY: 100%
- 3.4 SHOCK & VIBRATION: STD SHIPPING

WAVEGUIDE/COAX DETAILS

AST Waveguide Size: **2 2 9** Dual Option: **DS** (Dual SMA), **DN** (Dual N) Coax Frequency Code: **G** (CPRG), **R** (CPR), **M** (Metric) Flange: **W** (Weather), **L** (Lock) Thread: **S** (Side Connector), **L** (Lock) Connector option: **19P** (19 pin), **10P** (10 pin), **6P** (6 pin) Option 1 (omit if not needed), Option 2 (omit if not needed), Option 3 (omit if not needed) Voltage Option: **M** (Manual), **P** (Positive), **N** (Negative) (omit for manual)

Code	1	2	3	4	5	6
Connector	N or SMA	N or SMA	N or SMA	N or SMA	SMA only	SMA only
Freq Range (GHz)	DC - 2.0	1.0 - 3.0	3.5 - 4.2	5.85 - 8.2	10.7 - 14.5	17.0 - 18.4



PROPRIETARY INFORMATION
 THIS DOCUMENT CONTAINS PROPRIETARY INFORMATION WHICH SHALL NOT BE REPRODUCED, TRANSFERRED TO OTHER DOCUMENTS, DISCLOSED TO OTHERS, USED FOR MANUFACTURING OR ANY OTHER PURPOSE WITHOUT PRIOR WRITTEN PERMISSION FROM **AST**.

BREAK ALL CORNERS AND SHARP EDGES

UNLESS OTHERWISE SPECIFIED	DRAWN	MC	05/21/2017
FRACTIONAL ± 1/32	CHECKER		
DECIMAL .XXX ± .010			
ANGULAR .XX ± .020			
ANGULAR .XX ± 1/2°			
MATERIAL: NOTED			
SPEC:			
FINISH: NOTED			
SPEC:			

DUAL WAVEGUIDE/COAX SWITCH
WR 229

AST MICROWAVE
 SHEET 1 OF 1