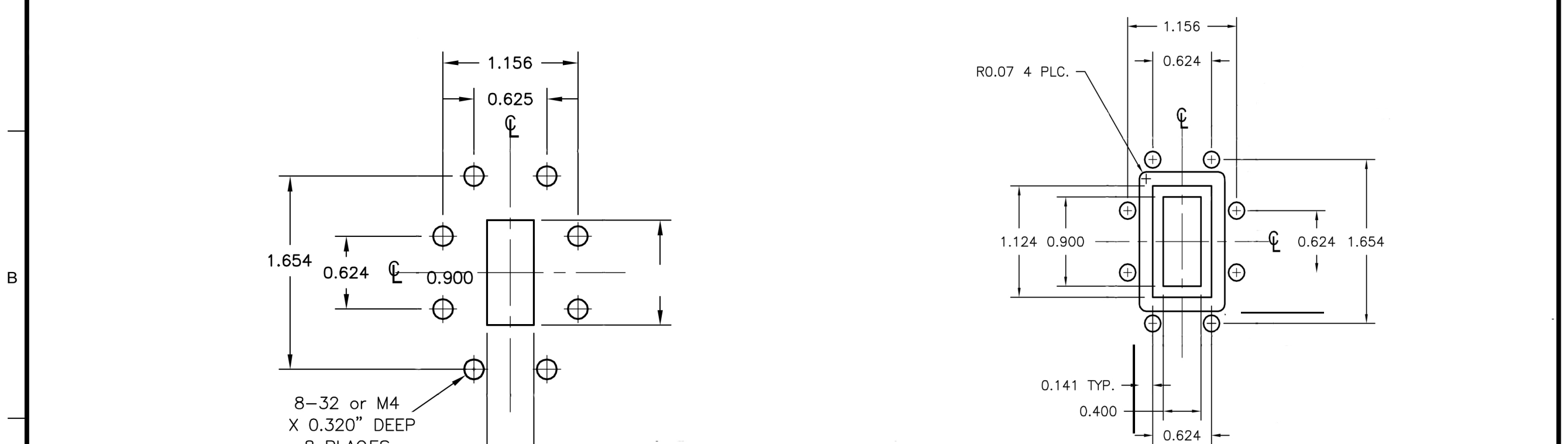


WR90 COVER FLANGE (UGF or UBR)  
ORDER CODE: AST90F or AST90FM (METRIC)

WR90 GROOVED FLANGE (UGG or PBR)  
ORDER CODE: AST90OM or AST90ORM

WR90 CHOKE FLANGE  
ORDER CODE: AST90C or AST90CM (METRIC)



WR90 CPR FLANGE  
ORDER CODE: AST90R or AST90RM (METRIC)

WR90 CPRG FLANGE  
ORDER CODE: AST90G or AST90GM (METRIC)



REVISIONS		APPROVALS			
SYM	DESCRIPTION	DATE	ENGRG	PROD	Q.A.

**PROPRIETARY INFORMATION**  
THIS DOCUMENT CONTAINS PROPRIETARY INFORMATION WHICH SHALL NOT BE REPRODUCED, TRANSFERRED TO OTHER DOCUMENTS, DISCLOSED TO OTHERS, USED FOR MANUFACTURING OR ANY OTHER PURPOSE WITHOUT PRIOR WRITTEN PERMISSION FROM AST.

BREAK ALL CORNERS AND SHARP EDGES

UNLESS OTHERWISE SPECIFIED	DRAWN	MC	05/27/2017	WR90 FLANGES	
FRACTIONAL ± 1/32	CHECKER				
DECIMAL .XXX ± .010	MECH. ENGR.				
XX ± .020	ELEC. ENGR.				
ANGULAR ± 1/2°	PROJ. ENGR.				
FINISH: NOTED	CHIEF ENGR.			SCALE	SHEET 1 OF 1

1

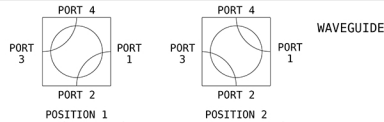
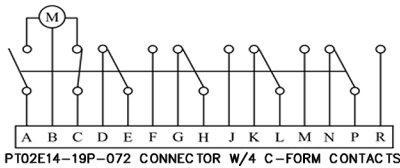
2

3

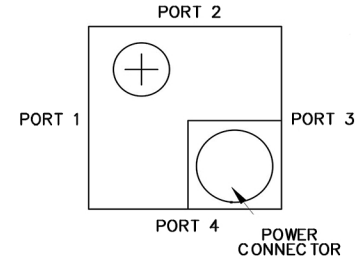
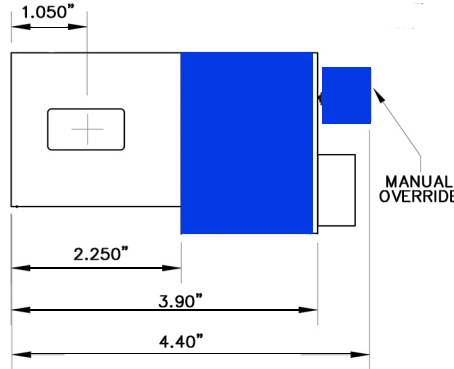
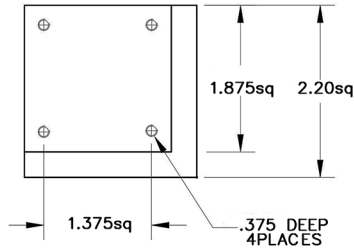
4

5

6



REVISIONS			APPROVALS			
SYM	DESCRIPTION	DATE	ENGRG	PROD	O. A.	



### 1.0 ELECTRICAL

- 1.1 OPERATING FREQUENCY: 8.2 - 12.4 GHZ
- 1.2 RETURN LOSS: -30DB MIN
- 1.3 ISOLATION: 70DB MIN
- 1.4 INSERTION LOSS: .05DB MAX
- 1.5 POWER HANDLING: 3.5KW CW
- 1.6 DRIVING VOLTAGE: OPTIONAL
- 1.7 C-FORM CONTACTS: 4 IN STD UNIT
- 1.8 INHIBIT CONTACTS: OPTIONAL (OPEN BEFORE VSWR EXCEEDS 1.3:1)
- 1.9 SWITCHING TIME: 80 MSEC MAX
- 1.10 POWER CONNECTOR: PT02E14-19P-072

### 2.0 MECHANICAL

- 2.1 WAVEGUIDE SIZE: WR90
- 2.2 FLANGE: OPTIONAL
- 2.3 PRESSURE: 20 PSI (INCLUDING DRIVER)
- 2.4 MATERIAL: 80% ALUMINUM
- 2.5 FINISH: LUSTERON ON WAVEGUIDE, ANODIZE ON DRIVER
- 2.6 WEIGHT: .550 KG

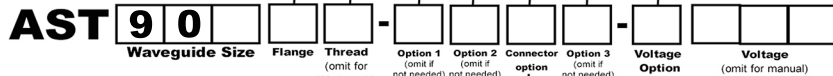
### 3.0 ENVIRONMENTAL

- 3.1 OPERATING TEMP: -40° TO +75° C
- 3.2 NON OPERATING TEMP: -50° TO +100° C
- 3.3 HUMIDITY: 100%
- 3.4 SHOCK & VIBRATION: STD SHIPPING

### WAVEGUIDE DETAILS

### DRIVER DETAILS

### VOLTAGE DETAILS



Note: 10P & 6P  
Come with  
miniature  
drive head



BREAK ALL CORNERS AND SHARP EDGES

UNLESS OTHERWISE SPECIFIED	DRAWN	MC	05/21/2017
FRACTIONAL ± 1/32	CHECKER		
DECIMAL .XXX ± .010	MECH. ENGR.		
ANGULAR .XXX ± .020	ELEC. ENGR.		
	PROJ. ENGR.		
	CHEF ENGR.		
DO NOT SCALE			
MATERIAL: NOTED			
SPEC:			
FINISH: NOTED			
SPEC:			

**PROPRIETARY INFORMATION**  
THIS DOCUMENT CONTAINS PROPRIETARY INFORMATION WHICH SHALL NOT BE REPRODUCED, TRANSFERRED TO OTHER DOCUMENTS, DISCLOSED TO OTHERS, USED FOR MANUFACTURING OR ANY OTHER PURPOSE WITHOUT PRIOR WRITTEN PERMISSION FROM **AST**.

WAVEGUIDE SWITCH  
WR 90

**AST MICROWAVE**

SCALE

SHEET 1 OF 1