

REVISIONS		APPROVALS			
SYM	DESCRIPTION	DATE	ENGRG	PRD	Q.A.

**PROPRIETARY INFORMATION**  
 THIS DOCUMENT CONTAINS PROPRIETARY INFORMATION WHICH SHALL NOT BE REPRODUCED, TRANSFERRED TO OTHER DOCUMENTS, DISCLOSED TO OTHERS, USED FOR MANUFACTURING OR ANY OTHER PURPOSE WITHOUT PRIOR WRITTEN PERMISSION FROM AST.

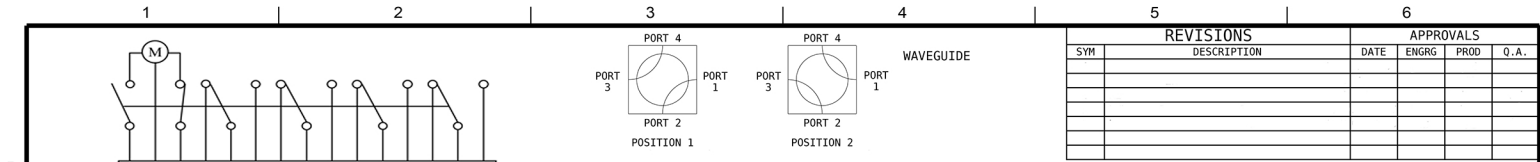
BREAK ALL CORNERS AND SHARP EDGES

UNLESS OTHERWISE SPECIFIED	DRAWN	MC	05/27/2017
FRACTIONAL ± 1/32 DECIMAL .xxx ± .010 .xx ± .020 ANGULAR ± 1/2°	CHECKER		
DO NOT SCALE	MECH. ENGR.		
	ELEC. ENGR.		
	PROJ. ENGR.		
	CHIEF ENGR.		
MATERIAL: NOTED SPEC:			
FINISH: NOTED SPEC:			

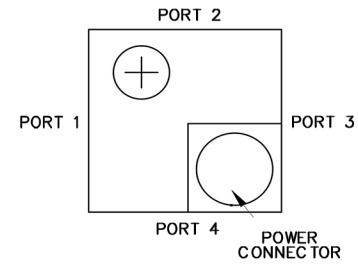
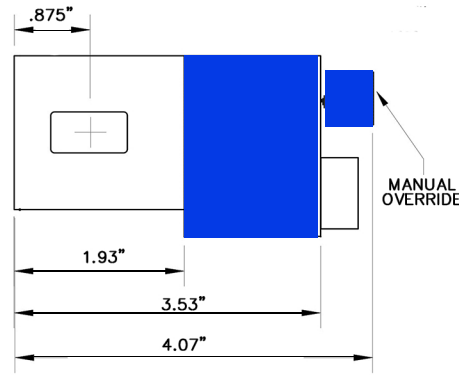
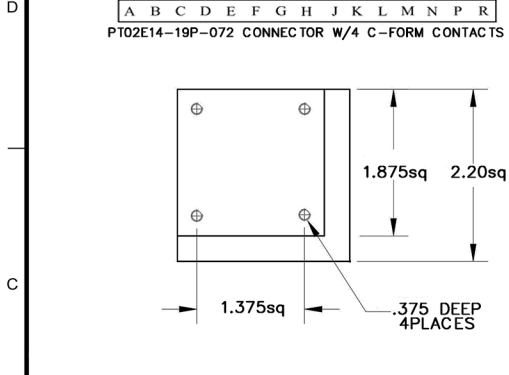
WR75 FLANGES

SCALE





REVISIONS				APPROVALS		
SYM	DESCRIPTION	DATE	ENGRG	PROD	Q. A.	



**1.0 ELECTRICAL**

- 1.1 OPERATING FREQUENCY: 10.0 - 15.0 GHZ
- 1.2 RETURN LOSS: -28DB MIN
- 1.3 ISOLATION: 70DB MIN
- 1.4 INSERTION LOSS: .05DB MAX
- 1.5 POWER HANDLING: 5KW CW
- 1.6 DRIVING VOLTAGE: OPTIONAL
- 1.7 C-FORM CONTACTS: 4 IN STD UNIT
- 1.8 INHIBIT CONTACTS: OPTIONAL (OPEN BEFORE VSWR EXCEEDS 1.3:1)
- 1.9 SWITCHING TIME: 80 MSEC MAX
- 1.10 POWER CONNECTOR: PTO2E14-19P-072

**2.0 MECHANICAL**

- 2.1 WAVEGUIDE SIZE: WR75
- 2.2 FLANGE: OPTIONAL
- 2.3 PRESSURE: 20 PSI (INCLUDING DRIVER)
- 2.4 MATERIAL: 80% ALUMINUM
- 2.5 FINISH: LUSTERON ON WAVEGUIDE, ANODIZE ON DRIVER
- 2.6 WEIGHT: .500 KG

**3.0 ENVIRONMENTAL**

- 3.1 OPERATING TEMP: -40° TO +75° C
- 3.2 NON OPERATING TEMP: -50° TO +100° C
- 3.3 HUMIDITY: 100%
- 3.4 SHOCK & VIBRATION: STD SHIPPING

**WAVEGUIDE DETAILS**

**DRIVER DETAILS**

**VOLTAGE DETAILS**

**AST 7 5**

<b>G</b> CPRG	<b>R</b> CPR	<b>F</b> Flat	<b>O</b> O-ring	<b>C</b> Choke	<b>M</b> Metric	<b>S</b> Side Connector	<b>W</b> Weather	<b>L</b> Lock	<b>19P</b> 19 pin	<b>10P</b> 10 pin	<b>6P</b> 6 pin	<b>M</b> Manual	<b>P</b> Positive	<b>N</b> Negative	
<b>Waveguide Size</b>	<b>Flange</b>	<b>Thread</b> (omit for NA threads)	<b>Option 1</b> (omit if not needed)	<b>Option 2</b> (omit if not needed)	<b>Connector option</b>	<b>Option 3</b> (omit if not needed)	<b>Special wiring</b> See Wiring Diagrams	<b>Voltage Option</b>	<b>Voltage</b> (omit for manual)						

Note: 10P & 6P Come with miniature drive head

BREAK ALL CORNERS AND SHARP EDGES

UNLESS OTHERWISE SPECIFIED	DRAMN	MC	05/21/2017
FRACTIONAL ± 1/32	CHECKER		
DECIMAL .XXX ± .010	MECH. ENGR.		
ANGULAR .XX ± .020	ELEC. ENGR.		
	PROJ. ENGR.		
	CHIEF ENGR.		

**PROPRIETARY INFORMATION**  
THIS DOCUMENT CONTAINS PROPRIETARY INFORMATION WHICH SHALL NOT BE REPRODUCED, TRANSMITTED TO OTHER DOCUMENTS, DISCLOSED TO OTHERS, USED FOR MANUFACTURING OR ANY OTHER PURPOSE WITHOUT PRIOR WRITTEN PERMISSION FROM AST.

**WAVEGUIDE SWITCH**  
WR 75

