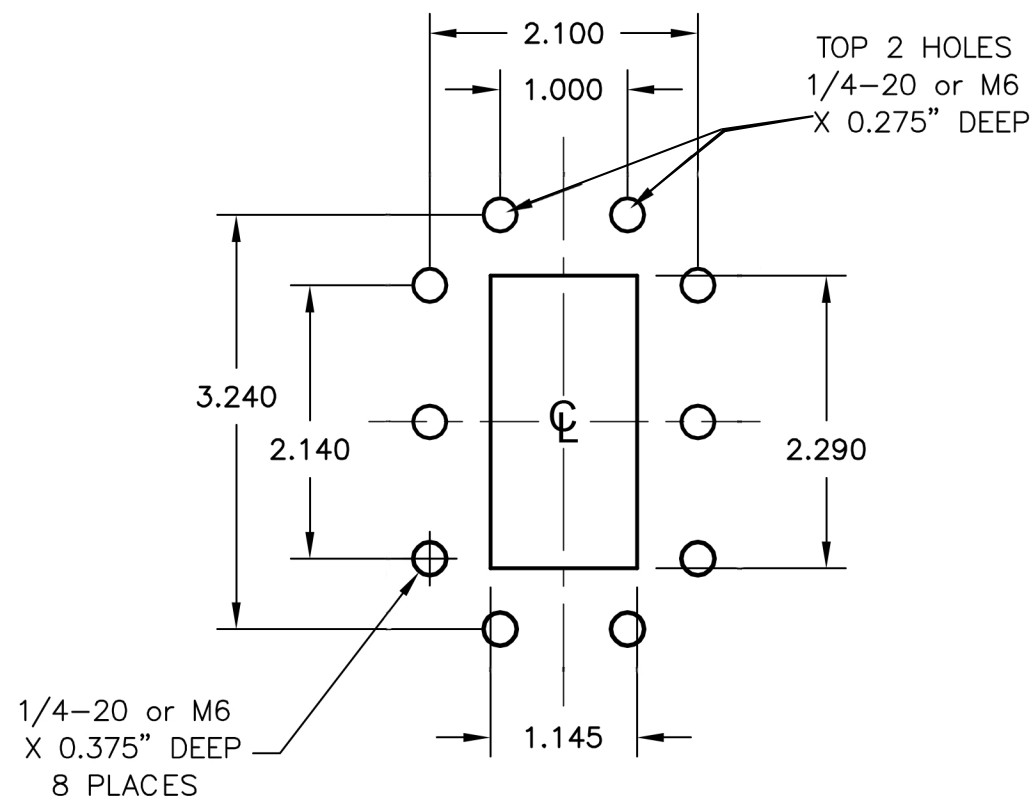
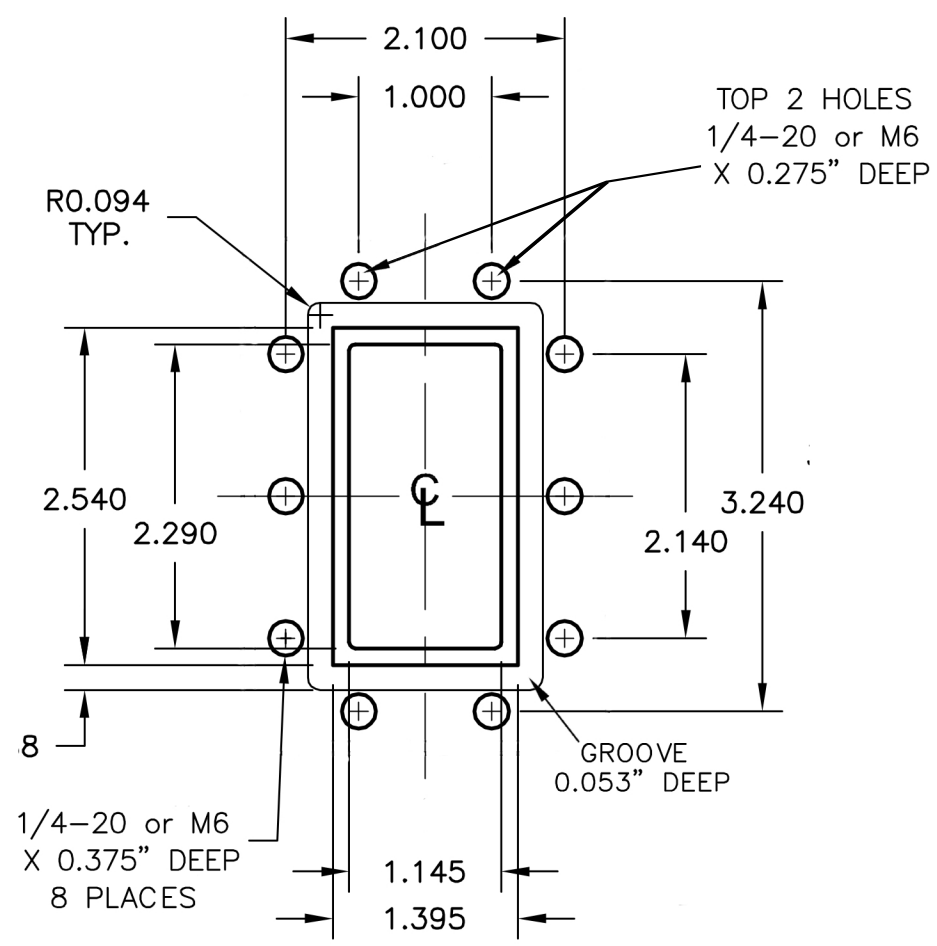


D
C
B
A



WR229 CPR FLANGE
ORDER CODE: AST229R or AST229RM (METRIC)



WR229 CPRG FLANGE
ORDER CODE: AST229G or AST229GM (METRIC)



REVISIONS		APPROVALS			
SYM	DESCRIPTION	DATE	ENGRG	PROD	Q.A.

PROPRIETARY INFORMATION
THIS DOCUMENT CONTAINS PROPRIETARY INFORMATION WHICH SHALL NOT BE REPRODUCED, TRANSFERRED TO OTHER DOCUMENTS, DISCLOSED TO OTHERS, USED FOR MANUFACTURING OR ANY OTHER PURPOSE WITHOUT PRIOR WRITTEN PERMISSION FROM AST.

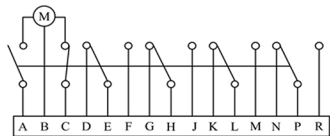
BREAK ALL CORNERS AND SHARP EDGES

UNLESS OTHERWISE SPECIFIED	DRAWN	MC	05/27/2017
FRACTIONAL ± 1/32	CHECKER		
DECIMAL .XXX ± .010	MECH. ENGR.		
.XX ± .020	ELEC. ENGR.		
ANGULAR ± 1/2°	PROJ. ENGR.		
	CHIEF ENGR.		

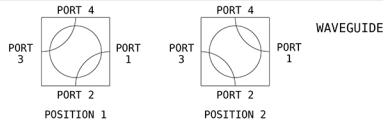
WR229 FLANGES	SCALE
---------------	-------

AST MICROWAVE
754 Fortune Crescent
Kingston, ON
K7P 2T3, Canada
613-384-3939

SHEET 1 OF 1

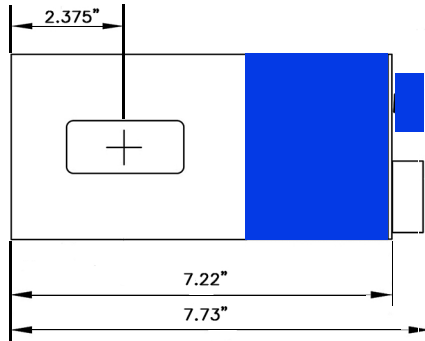
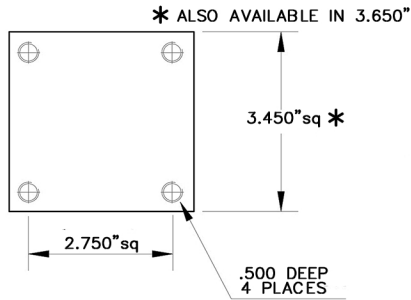


PT02E14-19P-072 CONNECTOR W/4 C-FORM CONTACTS

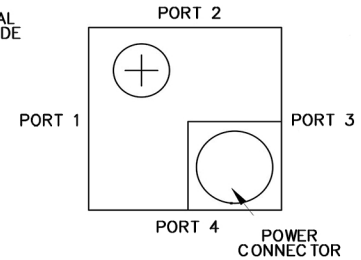


WAVEGUIDE

REVISIONS				APPROVALS		
SYM	DESCRIPTION	DATE	ENGRG	PROD	Q. A.	



MANUAL OVERRIDE



1.0 ELECTRICAL

- 1.1 OPERATING FREQUENCY: 3.5 - 4.2 GHZ
- 1.2 RETURN LOSS: -32DB MIN
- 1.3 ISOLATION: 70DB MIN
- 1.4 INSERTION LOSS: .05DB MAX
- 1.5 POWER HANDLING: 10KW CW
- 1.6 DRIVING VOLTAGE: OPTIONAL
- 1.7 C-FORM CONTACTS: 4 IN STD UNIT
- 1.8 INHIBIT CONTACTS: OPTIONAL (OPEN BEFORE VSWR EXCEEDS 1.3:1)
- 1.9 SWITCHING TIME: 120 MSEC MAX
- 1.10 POWER CONNECTOR: OPTIONAL

2.0 MECHANICAL

- 2.1 WAVEGUIDE SIZE: WR229
- 2.2 FLANGE: OPTIONAL
- 2.3 PRESSURE: 20 PSI (INCLUDING DRIVER)
- 2.4 MATERIAL: 80% ALUMINUM
- 2.5 FINISH: LUSTERON ON WAVEGUIDE, ANODIZE ON DRIVER
- 2.6 WEIGHT: 2.4 KG

3.0 ENVIRONMENTAL

- 3.1 OPERATING TEMP: -40° TO +75° C
- 3.2 NON OPERATING TEMP: -50° TO +100° C
- 3.3 HUMIDITY: 100%
- 3.4 SHOCK & VIBRATION: STD SHIPPING

WAVEGUIDE DETAILS

AST 229
Waveguide Size

G CPRG
R CPR
M Metric

S Side Connector

W Weather
L Lock

19P 19 pin
10P 10 pin
6P 6 pin

Special wiring. See Wiring Diagrams

M Manual
P Positive
N Negative

Flange Thread (omit for NA threads) Option 1 (omit if not needed) Option 2 (omit if not needed) Connector option Option 3 (omit if not needed) Voltage Option (omit for manual)

DRIVER DETAILS

VOLTAGE DETAILS

Note: 10P & 6P Come with miniature drive head



BREAK ALL CORNERS AND SHARP EDGES

UNLESS OTHERWISE SPECIFIED	DRAWN	MC	05/21/2017
FRACTIONAL ± 1/32	CHECKER		
DECIMAL .XXX ± .010	MECH. ENGR.		
ANGULAR .XX ± 1/2°	ELEC. ENGR.		
	PROJ. ENGR.		
	CHEF ENGR.		

PROPRIETARY INFORMATION
THIS DOCUMENT CONTAINS PROPRIETARY INFORMATION WHICH SHALL NOT BE REPRODUCED, TRANSFERRED TO OTHER DOCUMENTS, DISCLOSED TO OTHERS, USED FOR MANUFACTURING OR ANY OTHER PURPOSE WITHOUT PRIOR WRITTEN PERMISSION FROM AST.

WAVEGUIDE SWITCH
WR 229

AST MICROWAVE

SCALE

SHEET 1 OF 1