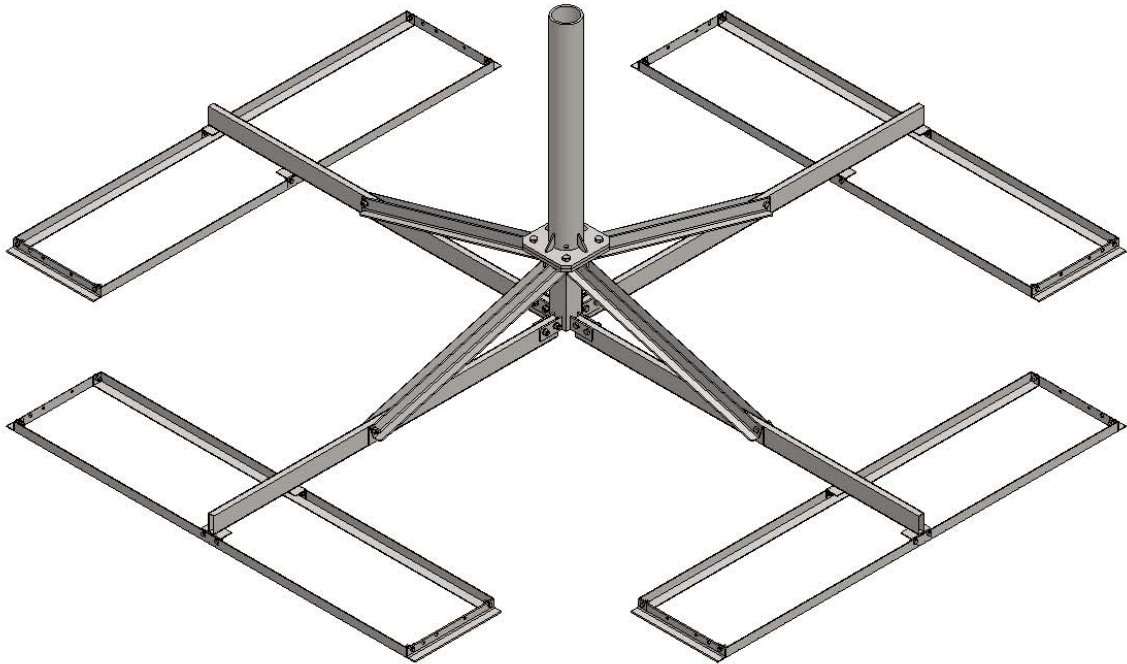


PART NO.	MAST DIAMETER	WEIGHT
B6116-KA-4008X3	4"OD [101.6mm]	249 lbs. [112.9kg]
B6116-KA-4508X3	4.5"OD [114.3mm]	257 lbs. [116.6kg]
B6116-KA-5568X3	5.56"OD [141.3mm]	275 lbs. [124.7kg]
B6116-KA-6628X3	6.62"OD [168.3mm]	299 lbs. [135.6kg]



PROPRIETARY AND CONFIDENTIAL
 THE INFORMATION CONTAINED IN THIS DRAWING IS THE SOLE PROPERTY OF BAIRD SUPPORTING SYSTEMS. ANY REPRODUCTION IN PART OR AS A WHOLE WITHOUT THE WRITTEN PERMISSION OF BAIRD SUPPORTING SYSTEMS IS PROHIBITED.



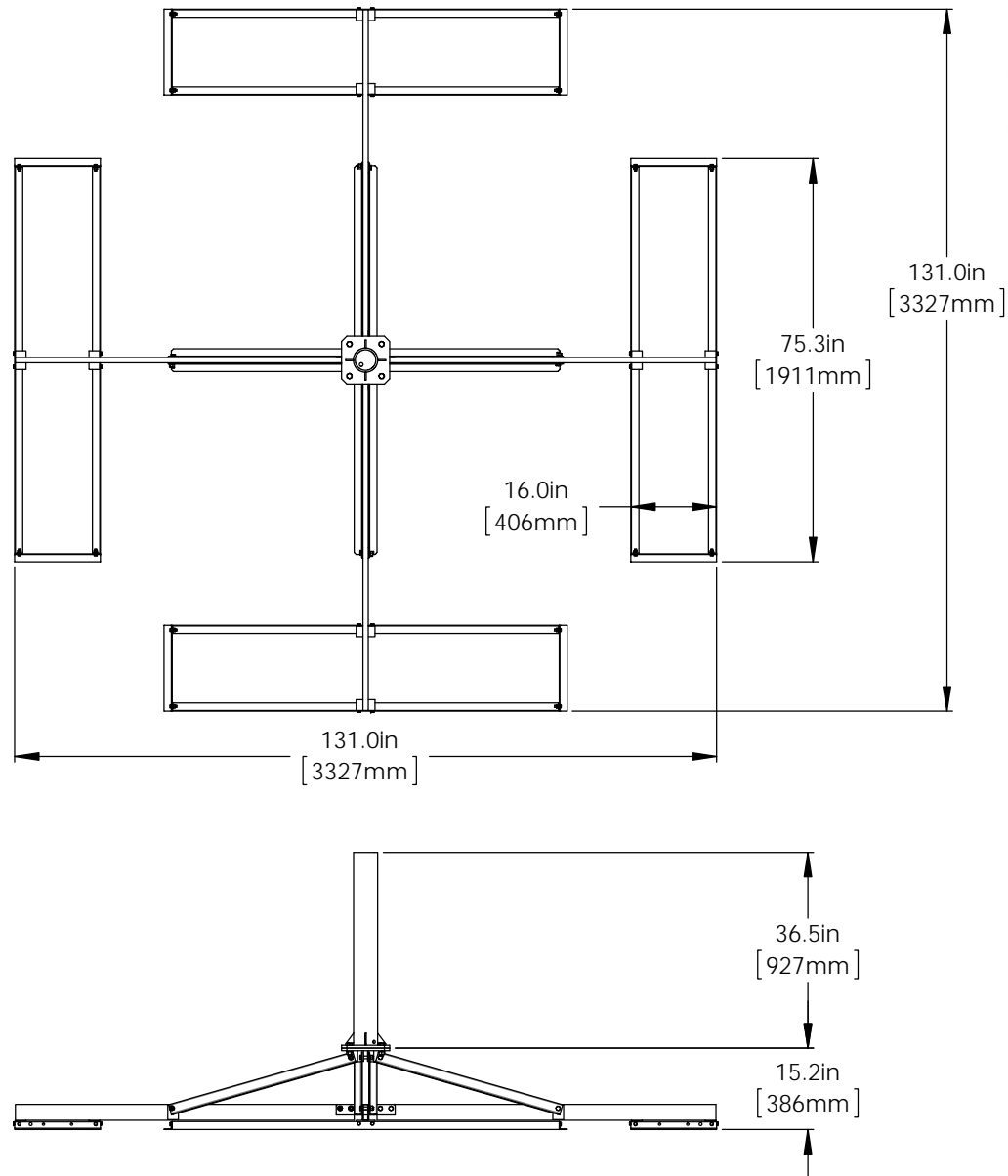
UNLESS OTHERWISE SPECIFIED:
 DIMENSIONS ARE IN INCHES
 TOLERANCES:
 FRACTIONAL ±
 ANGULAR: MACH ± BEND ±
 TWO PLACE DECIMAL ±
 THREE PLACE DECIMAL ±

DO NOT SCALE DRAWING

Baird Mounting Systems
sales@stepelectronics.com.au

DESCRIPTION:
 B6-116 KA MOUNT WITH 3' MAST

DRAWN BY JK	DATE 02/28/14	
MATERIAL STEEL	FINISH HDG	
DWG. PURPOSE CUSTOMER	SHEET 1OF2	SCALE 1:25
PART. NO. SEE TABLE		
DWG. NO. B6116-KA-(000)8X3		



PROPRIETARY AND CONFIDENTIAL
 THE INFORMATION CONTAINED IN THIS DRAWING IS THE SOLE PROPERTY OF BAIRD SUPPORTING SYSTEMS. ANY REPRODUCTION IN PART OR AS A WHOLE WITHOUT THE WRITTEN PERMISSION OF BAIRD SUPPORTING SYSTEMS IS PROHIBITED.



UNLESS OTHERWISE SPECIFIED:
 DIMENSIONS ARE IN INCHES
 TOLERANCES:
 FRACTIONAL ±
 ANGULAR: MACH ± BEND ±
 TWO PLACE DECIMAL ±
 THREE PLACE DECIMAL ±

DO NOT SCALE DRAWING

Baird Mounting Systems
 sales@stepelectronics.com.au

DESCRIPTION:
 B6-116 KA MOUNT WITH 3' MAST

DRAWN BY JK	DATE 02/28/14
MATERIAL STEEL	FINISH HDG
DWG. PURPOSE CUSTOMER	SHEET 2OF2
	SCALE 1:35

PART. NO.
 SEE TABLE-SHEET 1
 DWG. NO.
 B6116-KA-(000)8X3