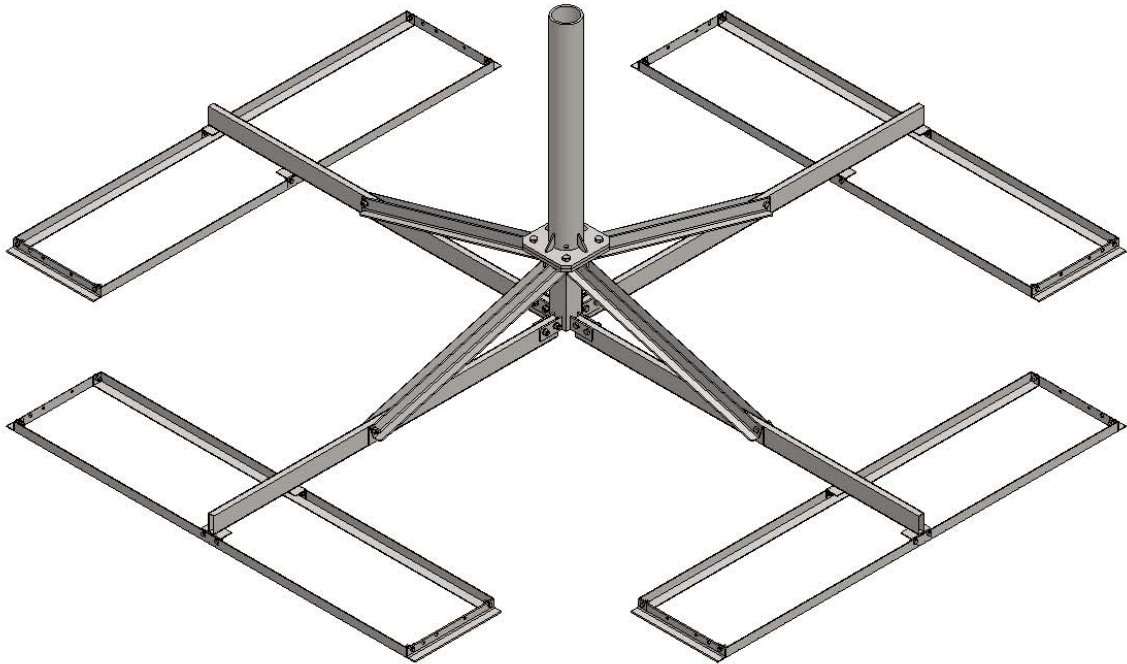


| PART NO. | MAST DIAMETER | WEIGHT |
|-----------------|-------------------|--------------------|
| B6116-KA-4008X3 | 4"OD [101.6mm] | 249 lbs. [112.9kg] |
| B6116-KA-4508X3 | 4.5"OD [114.3mm] | 257 lbs. [116.6kg] |
| B6116-KA-5568X3 | 5.56"OD [141.3mm] | 275 lbs. [124.7kg] |
| B6116-KA-6628X3 | 6.62"OD [168.3mm] | 299 lbs. [135.6kg] |



PROPRIETARY AND CONFIDENTIAL
 THE INFORMATION CONTAINED IN THIS DRAWING IS THE SOLE PROPERTY OF BAIRD SUPPORTING SYSTEMS. ANY REPRODUCTION IN PART OR AS A WHOLE WITHOUT THE WRITTEN PERMISSION OF BAIRD SUPPORTING SYSTEMS IS PROHIBITED.



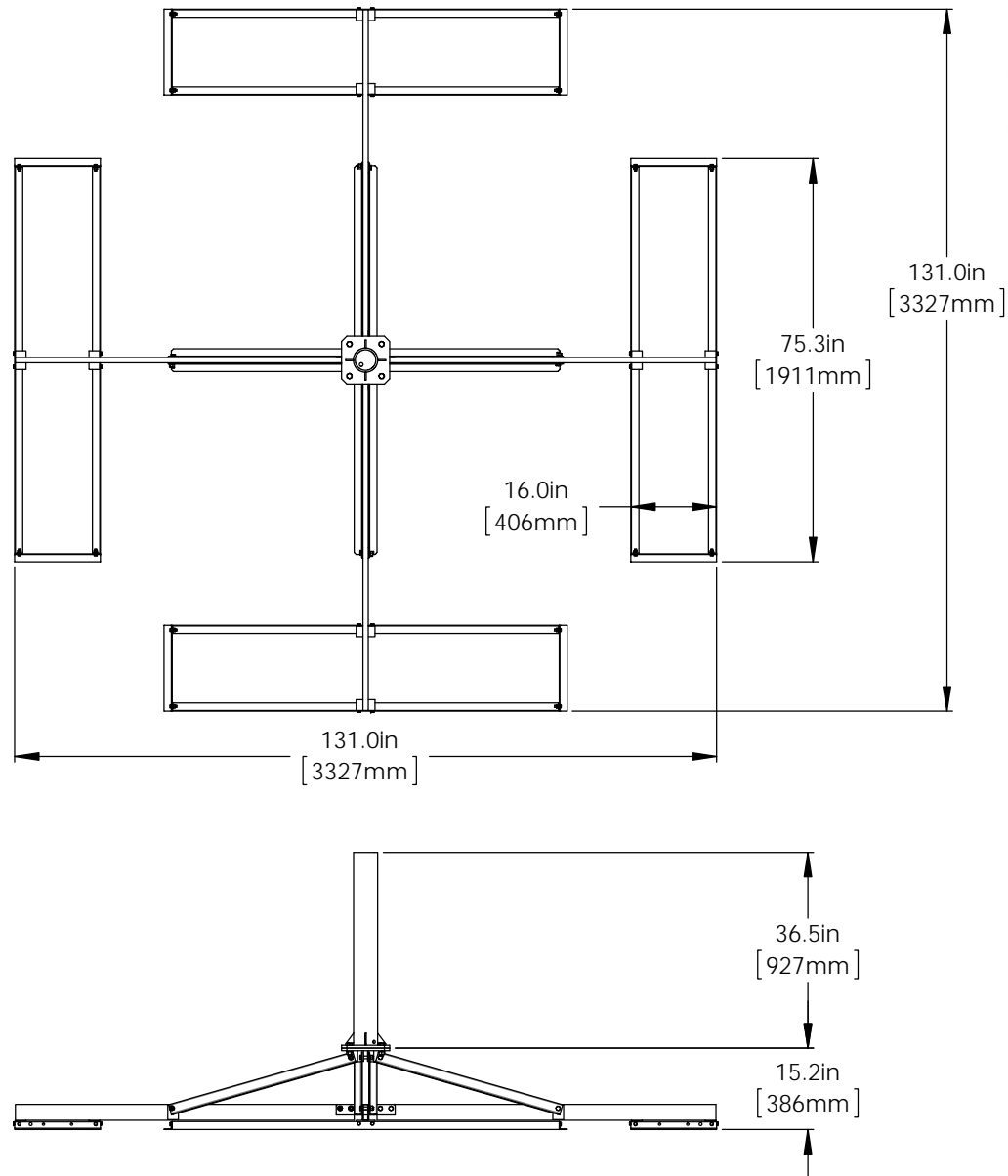
UNLESS OTHERWISE SPECIFIED:
 DIMENSIONS ARE IN INCHES
 TOLERANCES:
 FRACTIONAL ±
 ANGULAR: MACH ± BEND ±
 TWO PLACE DECIMAL ±
 THREE PLACE DECIMAL ±

DO NOT SCALE DRAWING

Baird Mounting Systems
sales@stepelectronics.com.au

DESCRIPTION:
 B6-116 KA MOUNT WITH 3' MAST

| | | |
|-------------------------------|------------------|---------------|
| DRAWN BY JK | DATE 02/28/14 | |
| MATERIAL STEEL | FINISH HDG | |
| DWG. PURPOSE CUSTOMER | SHEET 1OF2 | SCALE 1:25 |
| PART. NO. SEE TABLE | | |
| DWG. NO. B6116-KA-(000)8X3 | | |



PROPRIETARY AND CONFIDENTIAL
 THE INFORMATION CONTAINED IN THIS DRAWING IS THE SOLE PROPERTY OF BAIRD SUPPORTING SYSTEMS. ANY REPRODUCTION IN PART OR AS A WHOLE WITHOUT THE WRITTEN PERMISSION OF BAIRD SUPPORTING SYSTEMS IS PROHIBITED.



UNLESS OTHERWISE SPECIFIED:
 DIMENSIONS ARE IN INCHES
 TOLERANCES:
 FRACTIONAL ±
 ANGULAR: MACH ± BEND ±
 TWO PLACE DECIMAL ±
 THREE PLACE DECIMAL ±

DO NOT SCALE DRAWING

Baird Mounting Systems
sales@stepelectronics.com.au

DESCRIPTION:
 B6-116 KA MOUNT WITH 3' MAST

| | |
|--------------------------|------------------|
| DRAWN BY JK | DATE 02/28/14 |
| MATERIAL STEEL | FINISH HDG |
| DWG. PURPOSE CUSTOMER | SHEET 2OF2 |
| | SCALE 1:35 |

PART. NO.
SEE TABLE-SHEET 1
 DWG. NO.
 B6116-KA-(000)8X3