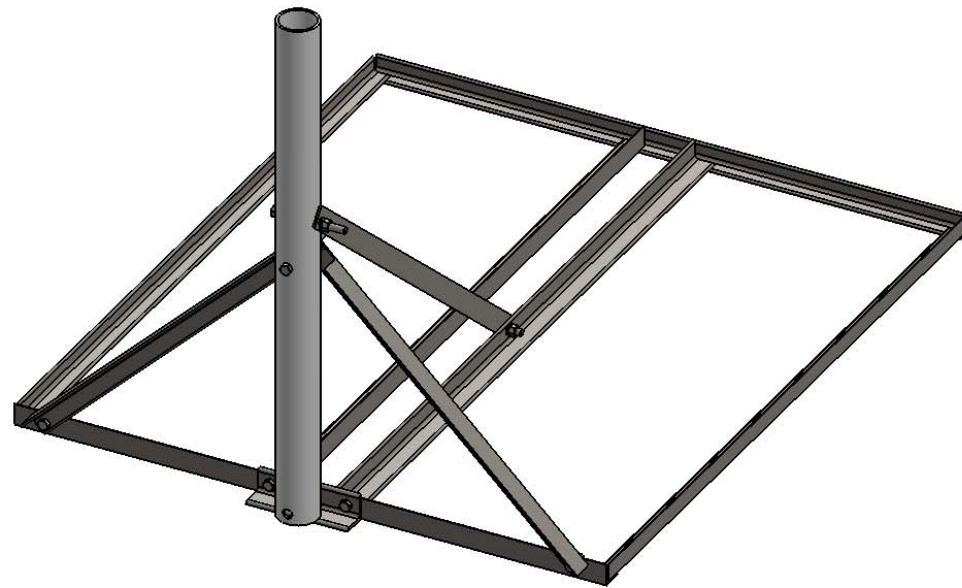


PART NO.	MAST DIAMETER	WEIGHT
B3-131X25	1.31"OD [33.4mm]	33 lbs. [15.0kg]
B3-166X25	1.66"OD [42.2mm]	35 lbs. [15.9kg]
B3-190X25	1.90"OD [48.3mm]	36 lbs. [15.3kg]
B3-200X25	2"OD [50.8mm]	36 lbs. [16.3kg]
B3-237X25	2.37"OD [60.3mm]	38 lbs. [17.2kg]
B3-288X25	2.88"OD [73mm]	38 lbs. [17.2kg]
B3-300X25	3"OD [76.2mm]	38 lbs. [17.2kg]



PROPRIETARY AND CONFIDENTIAL
 THE INFORMATION CONTAINED IN THIS DRAWING IS THE SOLE PROPERTY OF BAIRD SUPPORTING SYSTEMS. ANY REPRODUCTION IN PART OR AS A WHOLE WITHOUT THE WRITTEN PERMISSION OF BAIRD SUPPORTING SYSTEMS IS PROHIBITED.



UNLESS OTHERWISE SPECIFIED:
 DIMENSIONS ARE IN INCHES
 TOLERANCES:
 FRACTIONAL ±
 ANGULAR: MACH ± END ±
 TWO PLACE DECIMAL ±
 THREE PLACE DECIMAL ±

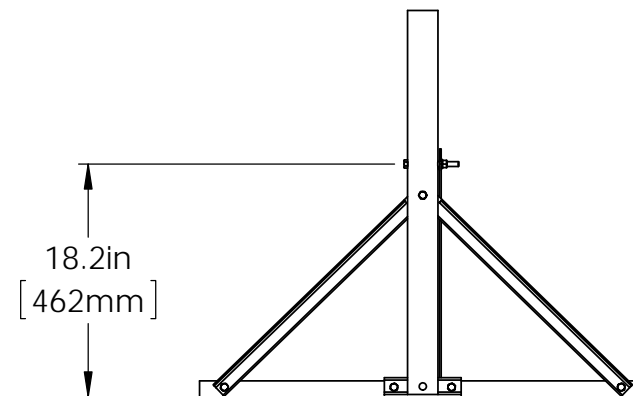
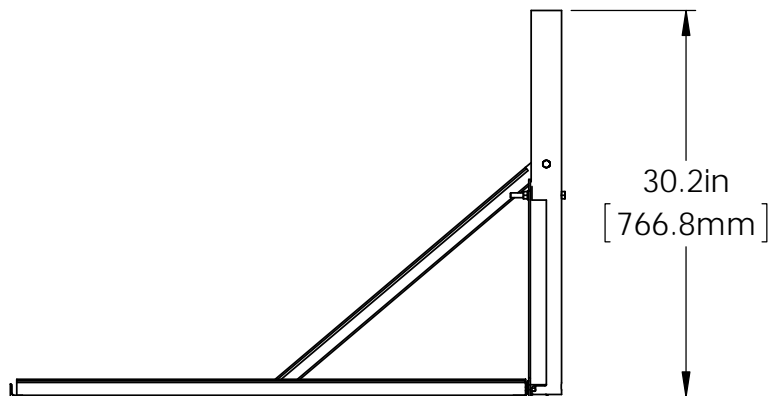
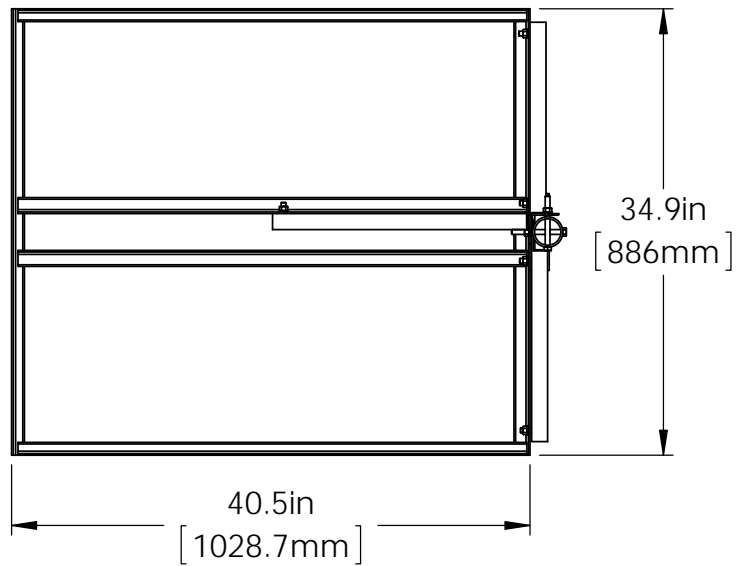
DO NOT SCALE DRAWING

Baird Mounting Systems
sales@stepelectronics.com.au

TITLE:
 B3-34X40 MOUNT WITH 2.5' MAST

DRAWN BY JK	DATE 05/03/13	
MATERIAL STEEL	FINISH HDG	
DWG. PURPOSE CUSTOMER	SHEET 1 OF 2	SCALE 1:10

PART. NO.
 SEE TABLE
 DWG. NO.
 B3-(000)X25



PROPRIETARY AND CONFIDENTIAL
 THE INFORMATION CONTAINED IN THIS DRAWING IS THE SOLE PROPERTY OF BAIRD SUPPORTING SYSTEMS. ANY REPRODUCTION IN PART OR AS A WHOLE WITHOUT THE WRITTEN PERMISSION OF BAIRD SUPPORTING SYSTEMS IS PROHIBITED.



UNLESS OTHERWISE SPECIFIED:
 DIMENSIONS ARE IN INCHES
 TOLERANCES:
 FRACTIONAL ±
 ANGULAR: MACH ± BEND ±
 TWO PLACE DECIMAL ±
 THREE PLACE DECIMAL ±

DO NOT SCALE DRAWING

Baird Mounting Systems
sales@stepelectronics.com.au

TITLE:
 B3-34X40 MOUNT WITH 2.5' MAST

DRAWN BY JK	DATE 05/30/13
MATERIAL STEEL	FINISH HDG
DWG. PURPOSE CUSTOMER	SHEET 2 OF 2
	SCALE 1:15

PART. NO.
 SEE TABLE-SHEET 1

DWG. NO.
 B3-(000)X25