

SpacePath Control Unit



SPC1U01, SpacePath Control Unit

The SPC1U01 controller is a compact and user friendly unit providing full remote control of up to two SpacePath amplifiers and a redundant switch.

The SPC1U01 is compatible with with all STA series amplifiers and provides a number of feature enhancements including; Attenuation setting, Automatic Gain Control, Go-to Power, Log/Trend Analysis etc

FEATURES

- User Friendly Easy to use controls with clear, high visibility displays. A dedicated display and separate controls are provided for each amplifier, avoiding operator confusion.
- Intuitive mimic display with indicators is provided on the front panel to clearly show the condition of each amplifier and the position of the waveguide switch.
- Dual redundant power supplies.
- Remote interfaces provided as standard to allow remote monitoring and control including; RS232, RS422/485, Ethernet.
- USB ports for download of operational logs and trend analysis; helix current, TWT temperature, attenuation, heater voltage, output power, reflected power

CONTROLS

Prime Power ON/OFF switch
Front panel control keys:

- General
 - ◊ RESET
 - ◊ LOCAL/REMOTE
- HPA A and B Mode
 - ◊ WARM-UP/STANDBY
 - ◊ TRANSMIT
- Redundancy
 - ◊ MANUAL/AUTO
 - ◊ HPA A/B to Antenna
- Channel A/B Set Up keys—UP, DOWN, ENTER
 - ◊ Function/Parameter Selection
 - ◊ Attenuation/Gain Control

SPECIFICATION

Electrical

Voltage	99 to 264 V
Frequency.....	47 to 63 Hz
Power requirement.....	25 W nom
Power factor	0.96 min
Input surge current.....	100 A max at 230 VAC

Mechanical

Weight	2.4 kg
Dimensions:	
width	483 mm (19 inches)
height.....	1U, 44 mm (1.75 inches)
depth	250 mm (9.9 inches)

(not including connector mating halves)

Cooling.....Natural

Environmental

For operation outside these parameters, refer to Spacepath Communications for guidance.

Operating temperature.....	- 20°C to +50°C
Storage temperature.....	- 40°C to +70°C
Vibration	BS EN 60068-2-64 test Fh, Transportation
Shock.....	IEC Publication 68-2-27 Part 2 Test Ea 25 g

Connectors

Prime Power (2 off)	IEC C14
Amplifier interface	D-Sub 9-pin plug
Remote Interface RS232.....	D-Sub 9-pin plug
Remote Interface RS422/485	D-Sub 9-pin socket
Ethernet	RJ-45 Socket
USB Port 1/2 (2 off).....	USB 2.0 Type A Male

Regulatory

EMC.....	EMC Directive 2014/108/EU and FCC Part 15
Safety.....	Low Voltage Directive 73/23/EEC BS EN 60950
RoHs.....	RoHS Directive 2011/65/EU

FRONT PANEL DISPLAY

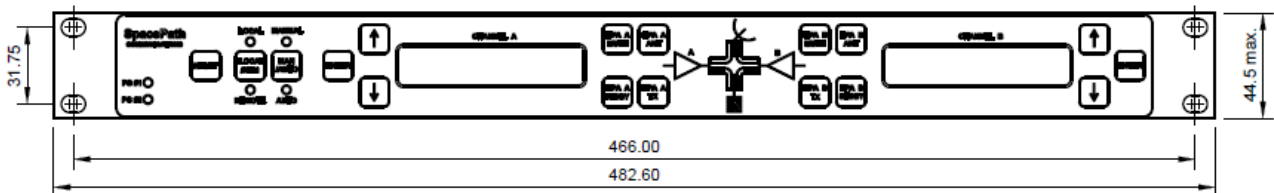
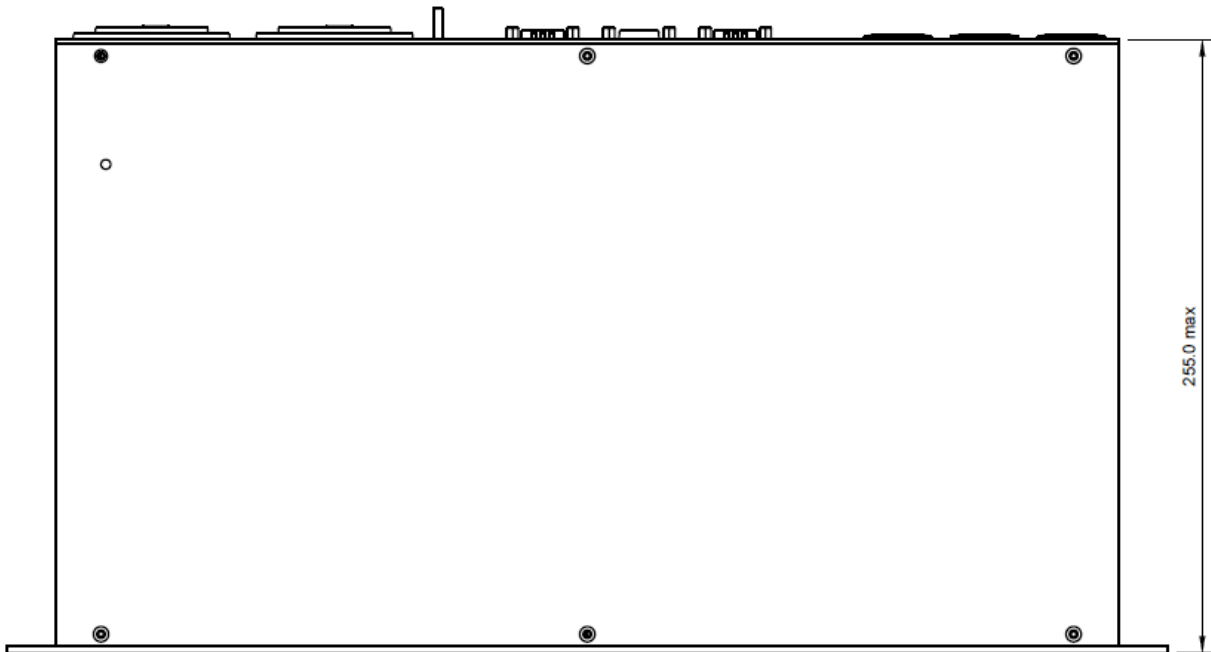
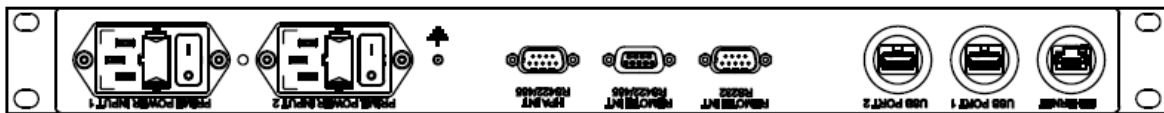
OLED 2x20 character display, functions selected by Channel Set Up keys:

- Amplifier status
- Fault identification
- Monitors
 - ◇ Output Power
 - ◇ Helix Current
 - ◇ TWT Temperature
 - ◇ Reflected Power
 - ◇ Attenuation Setting
- Set-up parameters (including)
 - ◇ Attenuation/Gain control
 - ◇ ALC/GTP control
 - ◇ Low/High Power settings

FRONT PANEL INDICATORS

- Power Supply #1/#2 OK
- Local
- Remote
- Manual redundancy
- Auto redundancy
- HPA A/B mode;
 - WARM-UP
 - STANDBY
 - TRANSMIT
 - FAULT
- WG Path

OUTLINE

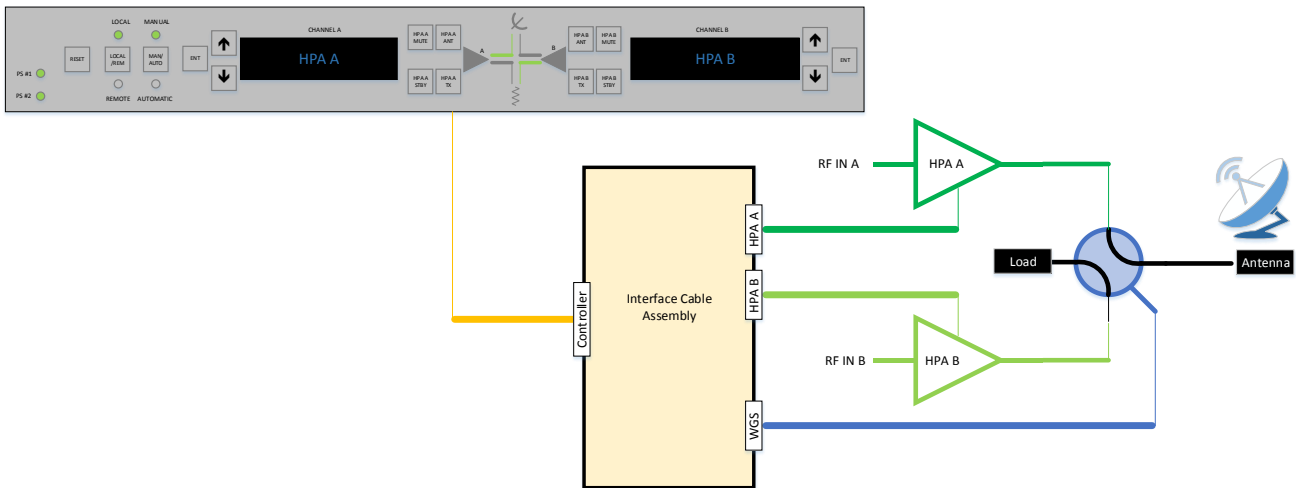


Packed Gross Weight & Dimensions
3kg 54x29x10cms

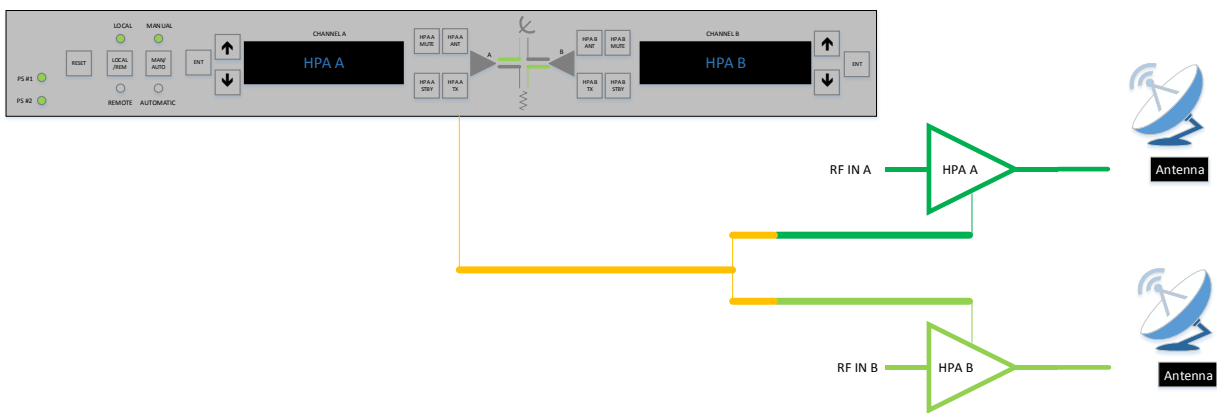
24/9 Powells Road, Brookvale, NSW 2100, Australia
 + 61 2 9939 4377 sales@stepelectronics.com.au

APPLICATIONS

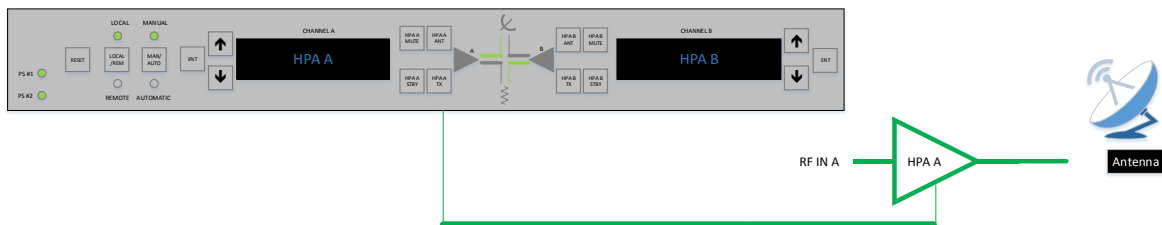
1:1 Redundant Switch Control



Dual HPA



Single HPA



OPTIONS

The SPC1U01 is compatible with the; STA1000, STA2000 and STA3000 series of HPAs.

Contact SpacePath for details of suitable cable assemblies and waveguide assemblies.