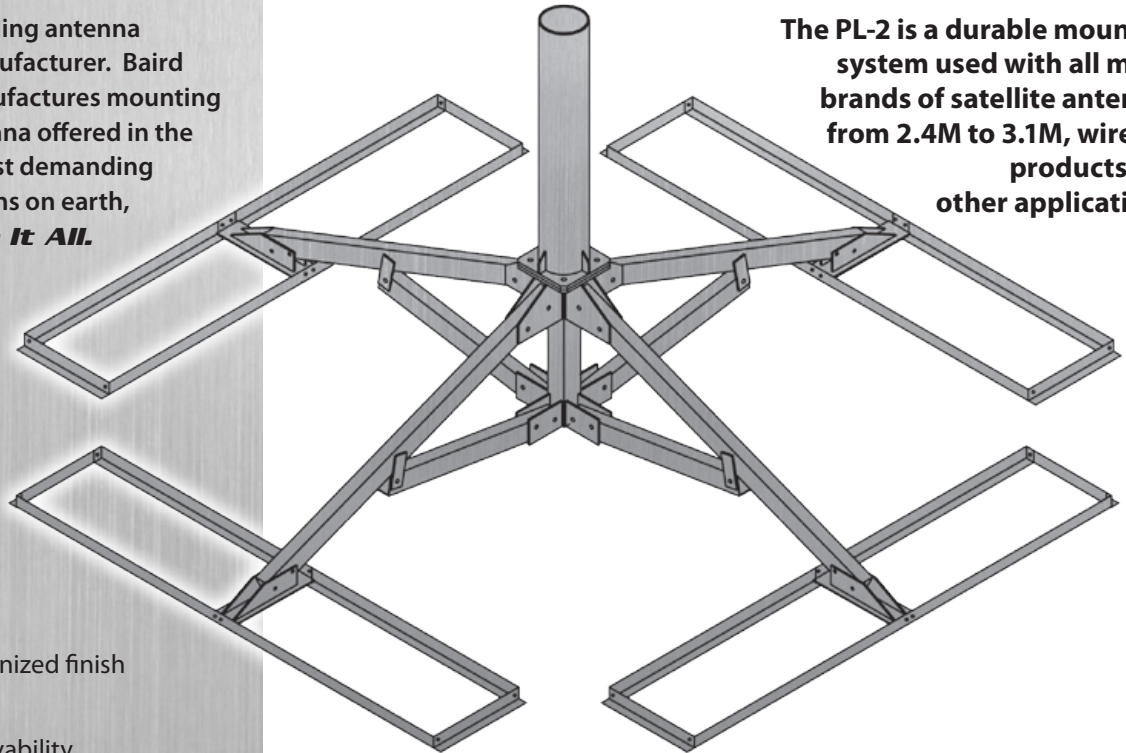




Model: PL-2 (1 Tray Per Leg)
Type: Non-Penetrating Mount System
2.4M to 3.1M Antennas

Baird is the world's leading antenna mounting systems manufacturer. Baird designs, tests and manufactures mounting systems for every antenna offered in the world today. In the most demanding situations and conditions on earth, Baird is ***Underneath It All.***



The PL-2 is a durable mounting system used with all major brands of satellite antennas from 2.4M to 3.1M, wireless products and other applications.

Superior Quality

- 100% hot dipped galvanized finish
- Zinc plated hardware
- Design tested for survivability
- State-of-the-art manufacturing
- Heavy gauge steel fabrication

Ultimate Flexibility

- Mast sizes to accommodate ALL major antenna brands
- Mast heights up to 10' (3.2M) for wireless and other applications
- Custom installations? Baird can meet your needs with more than 20 years of Industry experience

Product Support

- Engineering and installation support
- Site specific ballast calculations
- Same day shipping of in-stock items
- Extensive inventory

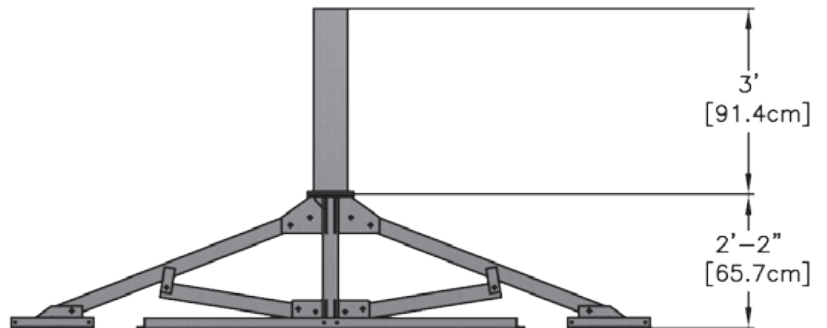
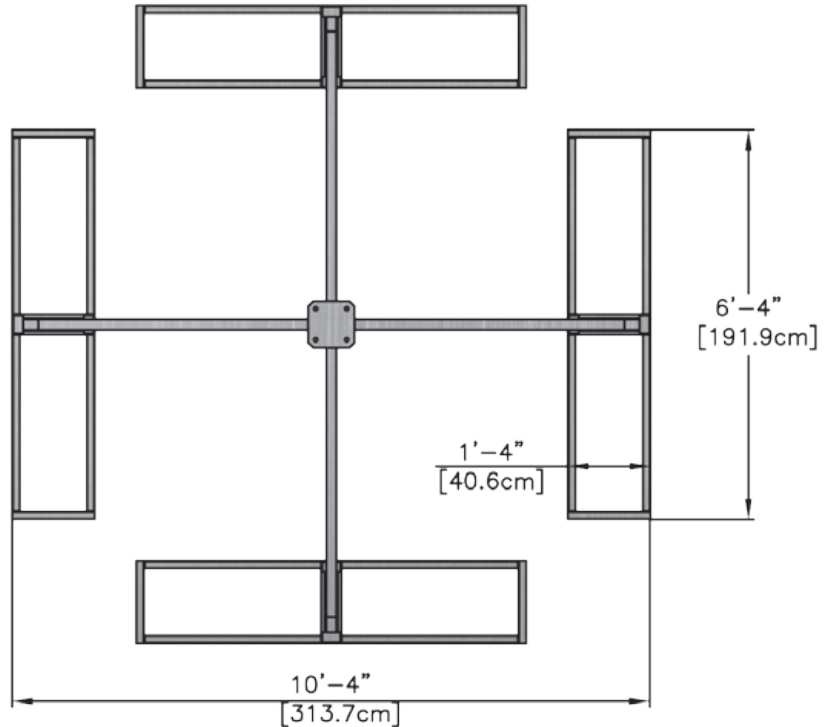
Warranty

- Your mount is backed by Baird's industry leading...**10 year warranty!**



PART NUMBER	DESCRIPTION
PL2-S-350x3-RP	Non-Pen Mount, 1 Tray Per Leg, 10.3' x 10.3' Footprint, 3.50" O.D. x 3' Mast w/ Rubber Roof Pad
PL2-S-400x3-RP	Non-Pen Mount, 1 Tray Per Leg, 10.3' x 10.3' Footprint, 4.00" O.D. x 3' Mast w/ Rubber Roof Pad
PL2-S-450x3-RP	Non-Pen Mount, 1 Tray Per Leg, 10.3' x 10.3' Footprint, 4.50" O.D. x 3' Mast w/ Rubber Roof Pad
PL2-S-550x3-RP	Non-Pen Mount, 1 Tray Per Leg, 10.3' x 10.3' Footprint, 5.50" O.D. x 3' Mast w/ Rubber Roof Pad
PL2-S-556x3-RP	Non-Pen Mount, 1 Tray Per Leg, 10.3' x 10.3' Footprint, 5.56" O.D. x 3' Mast w/ Rubber Roof Pad
PL2-S-662x3-RP	Non-Pen Mount, 1 Tray Per Leg, 10.3' x 10.3' Footprint, 6.62" O.D. x 3' Mast w/ Rubber Roof Pad

PRODUCT INFORMATION	
Application:	Roof-Top or Ground
Type:	Non-Penetrating, Flat Surface
Uses:	Satellite 2.4M to 3.0M Wireless Other Applications
Footprint:	10.3' x 10.3' = 106.1 sq ft
Finish:	Hot Dip Galvanized
Available Options:	1 Tray Per Leg 2 Trays Per Leg 3 Trays Per Leg Penetrating Feet (No Trays)
Satellite Mast Sizes:	3.50" O.D. to 6.62" O.D. 3.0' Mast (Mount Height = 5.3')
Wireless / Other Application Mast Sizes:	4.00" O.D. to 4.50" O.D. 3.0' to 8.0' Height (Mount Height = 5.3' to 10.3')
Ballast:	Up to 32 Standard Concrete Blocks (8" x 8" x 16")
Shipping:	Freight Pallet or Crate
Warranty:	10 Year Product Warranty



Model: PL-2 (1 Tray Per Leg)
Type: Non-Penetrating Mount System
2.4M to 3.1M Antennas

24/9 Powells Road, Brookvale,
 NSW 2100, Australia
 +61 2 9939 4377

sales@stepselectronics.com.au