

9.3 Meter ESA

Like all CPI Antenna Systems Division earth station antennas, the 9.3 Meter Earth Station Antenna provides high gain and exceptional pattern characteristics.

This antenna system is designed to address the stringent requirements of both the television broadcast industry and telecommunications network operators who demand unsurpassed flexibility and electrical performance in high-quality, cost-effective, and reliable packages.

The electrical performance and exceptional versatility provides the ability to configure the antenna with your choice of linearly- or circularly- polarized 2- or 4- port combining networks. That versatility is provided at the time of initial purchase, as well as in the future, as your satellite communication requirements evolve.

This antenna system is used worldwide in broadcast applications and high density data, voice and communications networks. The CPI Antenna Systems Division 9.3 meter earth station antenna features a computer-optimized dual reflector Gregorian optics system and close-tolerance manufacturing techniques.

This combination provides extremely accurate surface contour resulting in exceptionally high gain and closely controlled pattern characteristics. CPI Antenna Systems Division earth station antennas provide maximum durability with minimal maintenance.



Features

- Rugged aluminum and steel construction
- Horizon to horizon coverage with elevation over azimuth mount
- Advanced Gregorian optics
- Intelsat B compliant



9.3 Meter ESA

Design Standards

Reflector	Aluminum painted with highly diffusive white paint
Ground Mount	Hot-dipped galvanized steel, per ASTM-A123 for structural steel.
Hardware	Sizes ≤ 3/8 in (9.5mm), stainless steel, passivated per MIL-F-14072-E300 Sizes ≥ 3/8 in (9.5mm), hot-dipped galvanized stainless steel, passivated per ASTM-A123

Environmental Performances

Operating Temperature	-40° to 52°C (-40° to 125°F)
Seismic (Earthquake)	1 G Vertical and Horizontal acceleration. Equivalent to a Richter Magnitude 8.3, and Grade 11 on the modified Mercalli Scale
Operational Winds	45 mph (72 km/h) Gusts to 65 mph (105 km/h)
Survival Winds	125 mph (200 km/h) in any position of operation
Rain	4 in (102 mm) per hour
Solar Radiation	360 BTU/hr/ft ² (1135 Watts/m ²)
Relative Humidity	100%
Shock and Vibration	As encountered by commercial Air, Rail and Truck shipment.
Atmospheric Conditions	As encountered by Moderately Corrosive Coastal and Industrial Areas.

Mechanical Performances

The 9.3m Antenna mechanical general specifications and performances are listed in below table. Additional information, dimensions and layout may be provided by CPI Antenna Systems Division on a case-by-case basis.

Optics Type	Dual Reflector Gregorian
Reflector Material	Precision-Formed Aluminum
Reflector Segments	20
Mount Type	Az over El, Tripod mount

Antenna Pointing Range, Coarse/(Continuous)	
Elevation:	0-90° (90°)
Azimuth:	180° (120°)
Polarization	360° (180°)

Hub/Enclosure Dimensions	
Diameter	2.31m (84 in)
Depth	1.17m (46 in)

Shipping Information

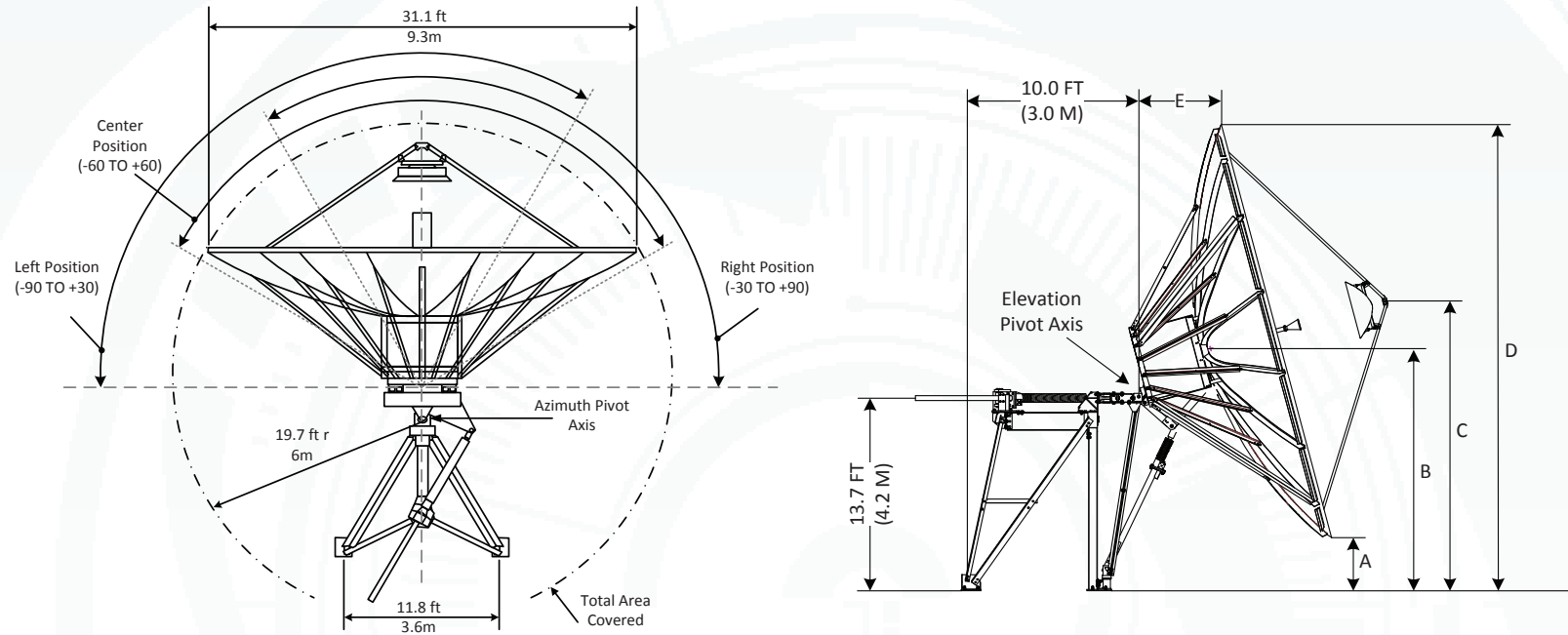
Packing Options	
Standard Commercial Domestic Pack	Included
Ocean Export Pack - For non-containerized, packed for seal against salt water spray	OCEANSHP-LG
Air Export Pack - For freighter aircraft shipments. Lower deck AirPack requires specialized bids	AIR EXPORT PACK-LG
Container Packaging	CNTPCK-LG

Required Shipping Container	
Standard 20 ft land/sea container	Quantity 1
Standard 40 ft land/sea container	Quantity 1

24/9 Powells Road, Brookvale,
 New South Wales 2100, Australia
 +61 (02) 9939 4377
 info@avcomm.com.au

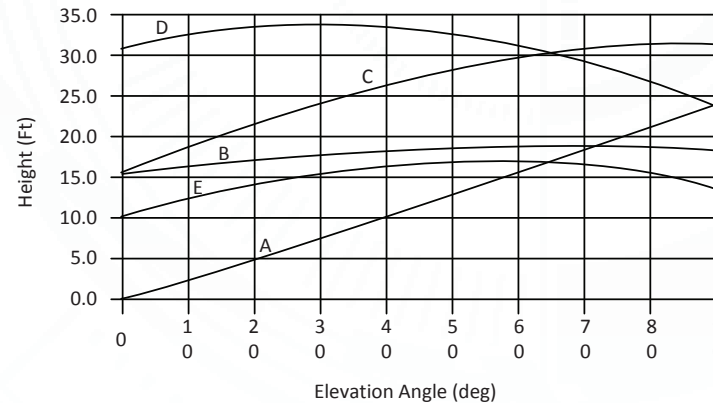
9.3 Meter ESA

Dimensional Drawings



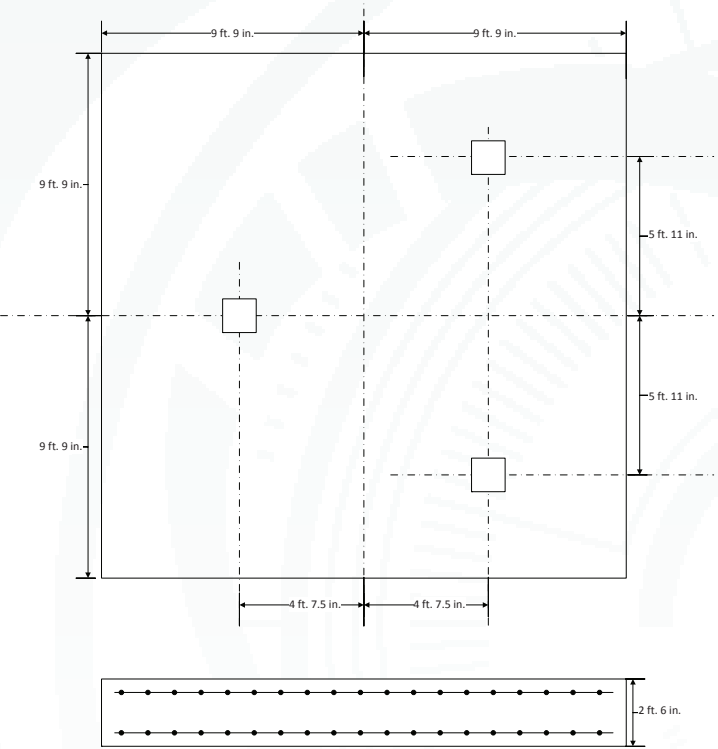
Top View

9.3m Component Position vs Elevation Angle

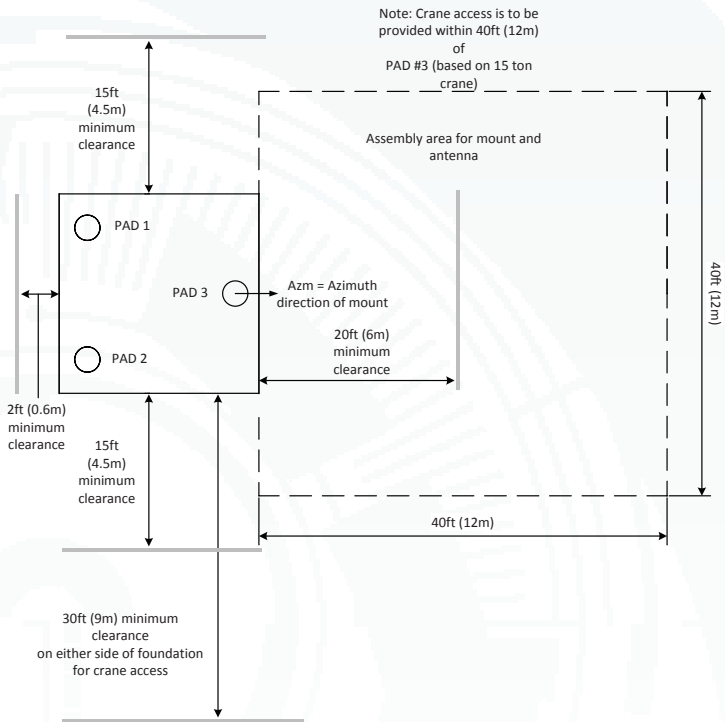


9.3 Meter ESA

Typical Foundation Design



Typical Foundation Information



Note: Crane access is to be provided within 40ft (12m) of PAD #3 (based on 15 ton crane)

Foundation information are provided in bulletin 37737C, please contact CPI Antenna Systems Division.

Soil Bearing Capacity,	2000 lb/ft ² (9770 kg/m ²)
Reinforcing Steel,	1.47 Tons (1339 kg)
Concrete Compressive Strength,	3000 psi (211 kg/cm ²)
Foundation Size:	(for specific standard soil and typical design)
Length	19.5 ft (5.94 m)
Width	19.5 ft (5.94 m)
Depth	2.5 ft (0.76 m)
Concrete Volume	35.2 yd ³ (27 m ³)

NOTE: Other typical foundation designs are available. Soil borings and foundation analysis should be performed by a qualified civil engineer.

24/9 Powells Road, Brookvale,
 New South Wales 2100, Australia

+61 (02) 9939 4377

info@avcomm.com.au



9.3 Meter ESA

Motor Drive Speed Summary

	Variable	
Azimuth	0.05°/s	0.5°/s
Elevation	0.05°/s	0.5°/s
Polarization	1°/s	

Motorization

One motorization system is available for this antenna: the NGC tracking system that can support Steptrack, Smartrack and Ephemeris orbital tracking.

Motor Kit	
Azimuth/Elevation Motor Kit	NGC-MK9

Polarization Drive Kit (DC Step Motors)	
Standard Temperature (> -20°C)	NGC-PK9DRA
Low Temperature operation (< -20°C)	NGC-PK9DRA-LO

Outdoor Unit Controller	
Power 200 - 230 VAC, 3 Phase 50/60 Hz	NGC-ODU-208-5
Power 380 - 460 VAC, 3 Phase 50/60 Hz	NGC-ODU-380-5

Antenna controller, motorization and options are detailed in specific bulletins, please contact CPI Antenna Systems Division..

Antenna Configurations

Earth Station Antenna	
Motorizable Mount with Az/EI Jackscrews.	ES93-1

Intelsat Standard-B Compliant Earth Station Antenna	
Motorizable Mount with Az/EI Jackscrews.	ES93B-1

Motorization and NGC Options

Indoor	
NGC-IDU	NGC Rack Mounted Antenna Controller W/LCD Touch Panel
NGC-001	NGC-IDU Analog Telephone Modem
NGC-002	NGC-IDU Spectrum Analyzer Card, Analog
NGC-003	NGC-IDU DVB Receiver Card
NGC-004-02	NGC IDU, L-Band Internal Beacon Receiver
NGC-006	NGC-IDU Emergency Stop Button
NGC-007	NGC-IDU 10 Mhz Reference Source
NGC-008	NGC-IDU Redundant Power Supply
NGC-009	NGC-IDU Rack Slides
NGC-101	NGC-IDU Step Tracking Software
NGC-102	NGC-IDU Smartrack Software
NGC-103	NGC-IDU Predictive Track Software
NGC-104	NGC-IDU Full Tracking Capability Software
NGC-106	NGC-IDU Remote Access Software Package
NGC-107	NGC-IDU Spectrum Analyzer Enhanced User Interface
NGC-108	Receive Pattern Test Tool
NGC-109	Redundancy Control Software
NGC-111	Sand/Dust Deviator Feature
NGC-119	NGC High Availability System Redundancy Software
Outdoor	
NGC-201	NGC ODU Low Temperature Kit (-40 C)
NGC-202	NGC ODU High Temperature Kit (+60 C)
NGC-205	NGC ODU AC Polarization Drive Interface
NGC-206	NGC Exterior Emergency Stop Button
NGC-207	Pre Movement Alert Warning Light And Annunciator
NGC-211	Dual Path NGC Redundancy
NGC-AESC	Environmental System Controller

Antenna controller, motorization and options are detailed in specific bulletins, please contact CPI Antenna Systems Division..

24/9 Powells Road, Brookvale,
New South Wales 2100, Australia

+61 (02) 9939 4377
info@avcomm.com.au



9.3 Meter ESA

Feed Matrix

C- BAND FEED SYSTEMS	PORT	Co-Pol	CP	LP	RX 3.625 - 4.2 GHz	RX 3.4 - 4.2 GHz	RX 4.5 - 4.8 GHz	TX 5.850 - 6.425 GHz	TX 5.725 - 6.725 GHz	TX 6.725 - 7.025 GHz
2CLPNC-9	2	X		X	X			X		
2CPNC-9-109	2		X	X	X			X		
2CPNCR-9-109	2		X		X					
2CPWCR-9-120	2					X				
2LPNC-9	2			X	X			X		
2LPNCR-9	2			X	X					
2LPUC-9	2			X			X			X
2LPWC-9	2			X		X		X		
2LPWCR	2			X		X				
4CPNC-9-206	4		X		X			X		
4CPNC-9B-206	4		X		X			X		
4LPNC-9	4			X	X			X		
4LPWVC-9	4			X		X			X	

24/9 Powells Road, Brookvale,
New South Wales 2100, Australia

+61 (02) 9939 4377

info@avcomm.com.au



9.3 Meter ESA

Antenna Options and Spares

Anchor Bolt and Template Kits Options

201680	Anchor Bolt Kit for 9.3 Meter Earth Station Antennas with Tripod Mounts
205883	Anchor Bolt Template for 9.3 Earth Station Antennas with Tripod Mounts

Heating Options

FH9A	C-Band Feed Heater Kit
WEC93R-208-100	Electric Hot Air De-Ice System, 208 VAC, 3 Phase
WEC93R-380-100	Electric Hot Air De-Ice System, 380 VAC, 3 Phase

Hub Equipment Options

EMRGYLT-115	Emergency Hub Light Kit, 115 VAC
EMRGYLT-230	Emergency Hub Light Kit, 230 VAC
FV9-115	Fan and Vent Kit, 115 VAC
FV9-220	Fan and Vent Kit, 230 VAC
HUBHTR-230	Antenna Hub Heater, 230 VAC
HUBLCNTR-115/240	Hub Power Center, 115/240 VAC
HUBLCNTR-230	Hub Power Center, 230 VAC
HUBLT-115	Hub Light Kit, 115 VAC
HUBLT-230	Hub Light Kit, 230 VAC

Safety Options

ANTGND-9	Foundation Installed Grounding Kit
LRK9	Lightning Rod Kit
MANPL9	Maintenance Platform and Ladder Kit
OBWRNLT-UNV	Obstruction Warning Light Kit

Other Options

201769	Elevation Handwheel Kit (2 required)
209906-2	Lubrication and Maintenance Kit
223711	Theodolite Alignment Kit (theodolite not incl)
BRNG-7693-C	Guard, Feed Window
FTST	Feed System Testing
NPN-LG	Custom Color Painting for Reflector
SPCOL-FEED	Custom Color Painting for Feed
TK-MAN-LG	Tool Kit, Large Manual Antennas
TK-MOT-LG	Tool Kit, Large Motorized Antennas

Azimuth and Elevation Cross Axis Waveguide Options

1XAC-9	C-Band Cross Axis Waveguide Kit, 2-Port
1XPC-9	C-Band Polarization Waveguide Kit, 2-Port
2XAC-9	C-Band Cross Axis Waveguide Kit, 4-Port
2XPC-9	C-Band Polarization Waveguide Kit, 4-Port
2XPC-9B	C-Band Polarization Waveguide Kit, 4-Port for Std "B" Station

24/9 Powells Road, Brookvale,
New South Wales 2100, Australia

+61 (02) 9939 4377

info@avcomm.com.au