

# Model 7050

## Fiberoptic Data Transceiver

- Supports up to five bi-directional channels
- High bit rate uni-directional channel available
- Supports RS232/RS422/RS485 serial communication standards
- Allows local and remote system Monitoring and Control (M&C)
- Allows transferring Service Requested (SRQ) alarms from remote site to the Hub
- Up to 19.2 Kbps data rate per channel
- Very low Bit Error Rate (BER)



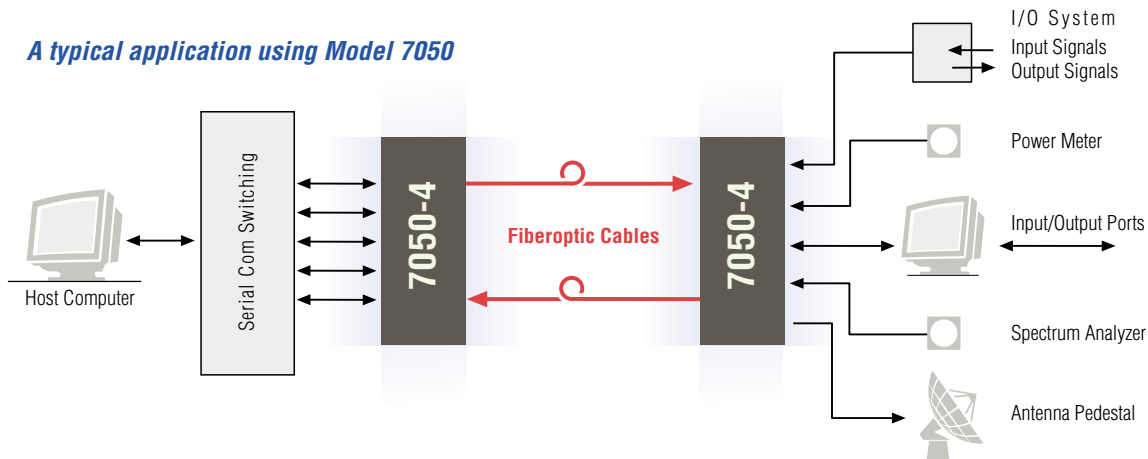
### **SATLIGHT** - High Performance, Cost Effective Interfacility Links

Foxcom's Model 7050 is a complete duplex fiberoptic link for data transmission. The Model 7050 Fiberoptic Data Transceiver provides the capability to Monitor and Control (M&C) on-site communication equipment such as testing and measuring equipment, redundancy switches, antenna pedestals, broadcast equipment, etc. With the Model 7050 you can easily locate problems and choose pre-determined solutions.

The Model 7050 can have up to five asynchronous bi-directional serial communication channels. In addition, the Model 7050 may be used for long distance asynchronous bi-directional serial communication, allowing remote M&C as well as transferring high rate time and frequency reference.

The Model 7050 units are connected via single mode fiberoptic cables. Two fibers are required for the serial communication and one for the high-rate reference link. Data transmission protocols such as RS-422, RS-485 and RS-232 are supported. Alarms and LED's indicating system status are provided.

### A typical application using Model 7050



### 7050 - System Specifications

Parameter	7050-1	7050-4
Number of Serial Data Channels	1	5
Serial Communication Channels	Asynchronous Bi-Directional RS232/RS422/RS485	
Data Rate	Serial Link 19.2 Kbps per channel	
Serial Communication BER	10 <sup>-7</sup> Max	
Maximum Fiber Length	10 Km	
Data Connector	Serial Link 9P D-Type per channel	
Fiber Optic Connector	FC/APC	

Physical	7050-1	7050-4
DC Power	15VDC/350mA	15VDC/500mA
Size	1.6"/3U Plug-In	3.6"/3U Plug-In
EMC	ETS 300339	
Humidity	95%	
Operating Temperature	0 to 50 degrees Celsius	
Storage Temperature	-40 to 85 degrees Celsius	

### Ordering Information

Model	Description
7050-1	1.6" Plug-In unit with one asynchronous bi-directional serial communication channels
7050-4	3.6" Plug-In unit with five asynchronous bi-directional serial communication channels
Option - RS232 Interface	Add 232 (RS422 Interface is the default)



High Performance Fiberoptic Interfacility Links

**Foxcom Inc.**  
 600 College Road East  
 Suite 3400  
 Princeton, New Jersey 08540  
 USA  
 Tel: 609-514-1800  
 Fax: 609-514-1881

**Foxcom Ltd.**  
 Beck Science Center  
 8 Hartom Street, Har-Hotzvim  
 P.O. Box 45092, Jerusalem 91450  
 Israel  
 Tel: +972-2-589-9888  
 Fax: +972-2-589-9898

E-mail: [sales@foxcom.com](mailto:sales@foxcom.com) Website: [www.foxcom.com](http://www.foxcom.com)