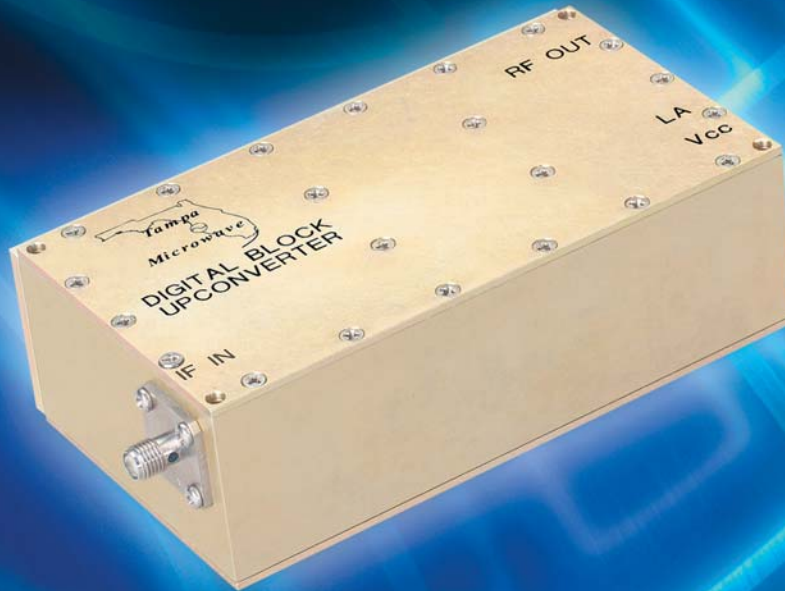


# BLOCK UP CONVERTERS

**Tampa Microwave** block up converters are specifically designed to translate L-Band input frequencies to either C, X or Ku band. These block up converters have the quality and stability required for demanding transmitting applications.



## FEATURES

- L Band Input
- C, X and Ku Outputs
- Low Phase Noise
- Internal 50 MHz Reference

## OPTIONS

- Output Filtering
- Custom Configurations
- External Reference
- Extended Temperature Range -40° to +85° C
- +/- 1 dB Flatness
- Optional Conversion Gain
- Rack Mount

## STANDARD BLOCK UP CONVERTERS

Table 1

PART NUMBER *	INPUT FREQ.	OUTPUT FREQ.	INPUT CONN.	OUTPUT CONN.
BUC-4900	950 to 1525 MHz	5.850 to 6.425 GHz	"N" Female	"N" Female
BUC-7375**	950 to 1525 MHz	5.850 to 6.425 GHz	"N" Female	"N" Female
BUC-6950	950 to 1450 MHz	7.900 to 8.400 GHz	"SMA" Female	"SMA" Female
BUC-12800	950 to 1700 MHz	13.75 to 14.50 GHz	"SMA" Female	"SMA" Female
BUC-13050	950 to 1450 MHz	14.00 to 14.50 GHz	"SMA" Female	"SMA" Female

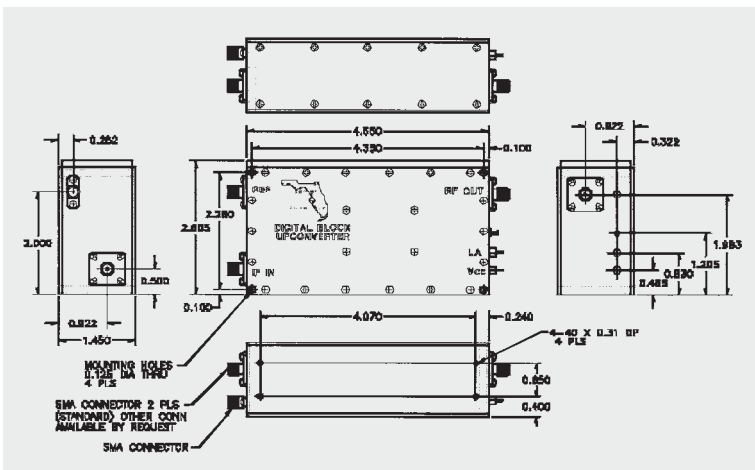
\*The Tampa Microwave part number indicates the LO frequency in MHz. BUC-"LOFREQ".

\*\* This BUC inverts the frequency spectrum of the input.

# SPECIFICATIONS

FUNCTIONAL	
Input Frequency	See Table 1
Output Frequency	See Table 1
LO Frequency Stability	+/- 2 ppm
LO Phase Noise	-75 dBc @ 1KHz offset -85 dBc @ 10 KHz offset -95 dBc @ 100 KHz offset
LO to IF Leakage	-20 dBm typ
LO to RF Leakage	-20 dBm max.
Noise Figure	10 dB max.
Mid Band Conversion Gain Min.	8 dB
Mid Band Conversion Gain Max.	12 dB
Conversion Gain Flatness Over Freq.	+/-1 dB max.
Gain Flatness per 40 MHz	+/-0.5 dB max.
Mid Band Gain Stability vs Temp	+/-1 dB
1dB Compression Point (output)	3 dBm min.
3rd Order Intercept (output)	+13 dBm min.
Image Rejection	20 dB min.
Internal Spurious Non Sig Rel	-85 dBm within RF output band
Sig Rel	-65 dBc within RF output band
Input/Output VSWR 50 Ohms	1.8:1 max.
POWER REQUIREMENTS	
Voltage	15 to 18 VDC
Power Consumption	500 mA max. via filter feedthrough or IF connector
PHYSICAL	
Weight	25 ounces nom.
Size	2.61 x 4.55 x 1.45 inches
Input Connector	See Table 1
Output Connector	See Table 1
Lock Alarm Connector	Open drain when locked (optional TTL Level)
Ground Connector	Solder turret
ENVIRONMENTAL	
Temperature Range	-40 to + 50 deg. C

## Standard Housing



## OTHER TAMPA MICROWAVE PRODUCTS

Loop Test Translators, Rack-Mount Block Up Converters and Block Down Converters, Satellite Simulators, Hot Swappable Converters and Transmitters.

**Tampa Microwave**

12160 Race Track Road, Tampa, FL 33626

Tel: 813.855.2251 Fax: 813.855.7741

sales@tmli.com | www.tampamicrowave.com

